



County of Lassen
Department of Planning and Building Services

- Planning
- Building Permits
- Code Enforcement
- Surveyor
- Surface Mining

Maurice L. Anderson, Director
707 Nevada Street, Suite 5
Susanville, CA 96130-3912
Phone: 530 251-8269
Fax: 530 251-8373
email: landuse@co.lassen.ca.us
website: www.co.lassen.ca.us

April 2, 2021

TO: Lassen County Board of Supervisors
Agenda Date: April 13, 2021

Zoning & Building
Inspection Requests
Phone: 530 257-5263

FROM: Maurice L. Anderson, Director

SUBJECT: Letter to the Board of Forestry and Fire Protection regarding proposed amendments to the Fire Safe Regulations (14 California Code of Regulation § § 1270.00-1276.07)

ACTION REQUESTED:

Authorize the Chairman to sign the letter

Summary:

On March 23, 2021, the Board of Supervisors directed staff to prepare the attached letter to the Board of Forestry and Fire Protection in regard to proposed amendments to the Fire Safe Regulations. For background, the following report was provided by Rural County Representatives of California (RCRC) on March 26, 2021, in regard to the proposed amendments:

On Monday, the Board of Forestry (BOF) approved its Fire Safe Regulations proposal for submission to the Office of Administrative Law (OAL). Supervisors and county staff from 20 RCRC member counties made oral comments during the meeting, unanimously requesting that the BOF delay moving the proposal forward until it convenes a multidisciplinary working group of local government planning and fire safety experts to collaborate on the rulemaking language. Of the eight members present and voting, only BOF members Husari and Los Huertos voted not to approve the proposal for submission to OAL. Once the proposed rulemaking is published in the Regulatory Notice Register, the formal 45-day public comment period will begin.

The revised draft proposal released March 15th makes substantial changes to the previous version that was released in early February. The proposed rules continue to condition the rebuilding of homes destroyed by wildfire and appears to expand the number of roads subject to the pre-development upgrade requirements. Several portions of the draft language are unclear and create questions on applicability.

The State Fire Safe regulations set forth basic wildfire protection standards for development in the State Responsibility Area and, beginning July 1, 2021, the Very High Fire Hazard Severity Zones of the Local Responsibility Area.

MLA:gfn

Enclosures: Proposed letter to the Board of Forestry and Fire Protection
Proposed amendments to the Fire Safe Regulations

County of Lassen
Board of Supervisors



CHRIS GALLAGHER

District 1

DAVID TEETER

District 2

JEFF HEMPHILL

District 3

AARON ALBAUGH

District 4

TOM HAMMOND

District 5

County Administration Office
221 S. Roop Street, Suite 4
Susanville, CA 96130
Phone: 530-251-8333
Fax: 530-251-2663

CERTIFIED RETURN RECEIPT
7020 1290 0000 0270 7625

April 13, 2021

J. Keith Gilles, Chair
California Board of Forestry and Fire Protection
P.O. Box 944246
Sacramento, CA 94244-2460

RE: Proposed Amendments to the Fire Safe Regulations (14 California Code of Regulation §§ 1270.00-1276.07)

Dear Chair Gilles and Board Members:

This letter is concerning the proposed amendments to the Fire Safe Regulations (14 California Code of Regulation §§ 1270.00-1276.07) considered at the March 22, 2021, meeting of the Board of Forestry and Fire Protection. At said meeting, your Board approved issuance of a 45-day Notice for Rulemaking. We have strong concerns with the language presented in the draft advanced for 45-day rulemaking by the Board of Forestry and Fire Protection, dated March 15, 2021.

First, we agree with concerns that have already been expressed by Del Norte County, Alpine County, Butte County, Siskiyou County, Humboldt County, Tuolumne County and others, as detailed in letters to the Board of Forestry and Fire Protection submitted for the above referenced March 22, 2021 meeting. The concerns of these and other counties should be addressed before the regulations are amended.

Like the above counties, one of our major concerns is the impact the regulations are likely to have on existing development. Subsection "(b)" of section 1273.00 (Purpose and Application) of the proposed regulations read as follows:

Choose Civility

“The provisions of this Article and Article 3 (Signing and Building Numbering) shall apply to all New Roads, Driveways, or Road or Driveway Structures. The provisions of this Article and Article 3 (Signing and Building Numbering) shall further apply to all Existing Roads, Driveways, or Road or Driveway Structures within a Perimeter.”
(Emphasis added).

Existing improvements to many areas of Lassen County are already served by existing roads (both public and private) that do not currently meet the standards that would become applicable through §1273.12. In summary, as currently worded, this section would require a minimum 14-foot road surface, with no more than 50 percent native surfacing and turnouts (as defined) for existing roads (whether public or private).

As detailed below, the proposed regulations do not adequately consider the impacts of establishing a requirement to upgrade existing roads serving existing development:

- **Physical impacts from road improvement.** Improving existing roads on the scale proposed (e.g. statewide) will have a physical impact. Said impact has not been evaluated by the Board of Forestry and Fire Protection as required by the California Environmental Quality Act.
- **Impacts to housing supply.** Not all of the existing roads that do not currently meet the new standard will be able to be improved. Thus, many of the residences that are accessed by these roads will not be able to be maintained going forward. These residences are often in the most economically disadvantaged areas and the required improvements will present a potentially insurmountable requirement for those in our community who few (if any) alternatives.
- **Economic impact.** The cost to improve existing roads to the identified standards has not been identified. Certainly, neither landowners or County government is in a financial position to be able to provide the needed funding to upgrade roads to the identified level, nor have we been informed of any funding the state will provide.

At a minimum, the proposed regulations need to be amended to better clarify when existing roads are subject to the new requirements. Certainly, routine maintenance of existing properties should not be subject to the new road requirements.

In part, the purpose of the proposed regulations is described at subsection “(d)” of section 1270.02 (Purpose) of the proposed regulations as:

By limiting Building construction in those areas where these minimum Wildfire protection standards are not satisfied, this reduces the risk of wildfires in these areas, which among other things protects the health, safety and welfare of residents, and protects natural resources and the environment.

The likelihood that the proposed requirements for existing roads will achieve the above stated purpose should be considered further. In actuality, it is our position that forest management will have a much bigger impact on the protection of the public and natural resources, This is where the Board of Forestry and Fire Protection (as well as other state agencies) should focus their efforts.

Sincerely,

Aaron Albaugh, Chairman
Lassen County Board of Supervisors

AA:gfn

cc: Matt Dias, Executive Director, Board of Forestry and Fire Protection
Wade Crowfoot, Secretary, Natural Resources Agency
Rhys Williams, Senior Advisor of Emergency Preparedness and Management,
Office of the Governor
Edith Hannigan, Land Use Planning Manager, Board of Forestry and Fire Protection
Brian Dahle, Senator, California Senate
Megan Dahle, Assembly Member, California State Assembly
Rural County Representatives of California(RCRC)
Callifornia State Association of Counties (CSAC)

March 15, 2021

Title 14 of the California Code of Regulations (14 CCR),

Division 1.5, Chapter 7

Subchapter 2, Articles 1-5

“State Minimum Fire Safe Regulations, 2021”

Subchapter 2. ~~SRA/VHFHSZ~~ State Minimum Fire Safe Regulations

Article 1. Administration

§ 1270.00. Title.

These regulations shall be known as the “~~SRA/VHFHSZ~~ State Minimum Fire Safe Regulations,” and shall constitute the ~~basic~~ minimum ~~w~~Wildfire protection standards of the California Board of Forestry and Fire Protection.

Note: Authority cited: Section 4290, Public Resources Code.

Reference: Sections 4102, 4126, 4127 and 4290, Public Resources Code.

§ 1270.01. Definitions ~~Purpose~~

The following definitions are applicable to this Subchapter.

(a) Access: The Roads on a route from a Building to the nearest Collector Road.

(b) Agriculture: Land used for agricultural purposes as defined in a Local Jurisdiction's zoning ordinances.

(c) Board: California Board of Forestry and Fire Protection.

(d) Building: Any Structure used or intended for supporting or sheltering any use or Occupancy, except those classified as

March 15, 2021

1 Utility and Miscellaneous Group U.

2 (e) CAL FIRE: California Department of Forestry and Fire
3 Protection.

4 (f) Clear Width: A horizontal area free of vegetation, debris,
5 fences, or other materials that may impede traffic flow; this
6 area may include flexible posts or barriers.

7 (g) Collector Road: Roads identified by a Local Jurisdiction as
8 a major or minor, or general, collector road pursuant to Title
9 23, Code of Federal Regulations, § 470.105 and in conformance
10 with the procedures in the US Federal Highway Administration
11 "Highway Functional Classification Concepts, Criteria, and
12 Procedures," 2013 Edition, hereby incorporated by reference.

13 (h) Dead-end Road: A Road that has only one point of vehicular
14 ingress/egress, including cul-de-sacs and looped Roads.

15 (i) Defensible Space: As defined in California Code of
16 Regulations, Title 14, § 1299.02(a).

17 (j) Development: As defined in section 66418.1 of the California
18 Government Code.

19 (k) Director: Director of the Department of Forestry and Fire
20 Protection or their designee.

21 (l) Driveway: A vehicular pathway that serves up to two (2)
22 parcels with no more than two (2) Residential Units and any
23 number of non-commercial or non-industrial Utility or
24 Miscellaneous Group U Buildings on each parcel. A Driveway shall
25 not serve commercial or industrial uses at any size or scale.

(m) Exception: An alternative means or method to achieve a

March 15, 2021

1 specified standard requested by the applicant subject to §
2 1270.06 (Exceptions to Standards).

3 (n) Existing Road: A physical Road constructed and used by
4 vehicles prior to a Development proposal.

5 (o) Fire Apparatus: A vehicle designed to be used under
6 emergency conditions to transport personnel and equipment or to
7 support emergency response, including but not limited to the
8 suppression of fires.

9 (p) Fire Authority: A fire department, agency, division,
10 district, or other governmental body responsible for regulating
11 and/or enforcing minimum fire safety standards.

12 (q) Fire Hydrant: A valved connection on a water supply or
13 storage system for the purpose of providing water for fire
14 protection and suppression operations.

15 (r) Fuel Break: A strategically located area where the volume
16 and arrangement of vegetation has been managed to limit fire
17 intensity, fire severity, rate of spread, crown fire potential,
18 and/or ember production.

19 (s) Greenbelts: Agricultural lands, open space, parks,
20 wildlands, or a combination thereof, as designated by Local
21 Jurisdictions, which surround or are adjacent to a city or
22 urbanized area, and restrict or prohibit Development.

23 (t) Greenways: Linear open spaces or corridors that link parks
24 and neighborhoods within a community through natural or manmade
25 trails and paths.

(u) Hammerhead/T: A road or driveway that provides a "T" shaped,

March 15, 2021

1 three-point turnaround space for Fire Apparatus, being no
2 narrower than the Road that serves it.

3 (v) Hazardous Land Use: A land use that presents a significantly
4 elevated potential for the ignition, prolonged duration, or
5 increased intensity of a Wildfire due to the presence of
6 flammable materials, liquids, or gasses, or features that
7 initiate or sustain combustion. Such uses are determined by the
8 Local Jurisdiction and may include, but are not limited to,
9 power-generation and distribution facilities, wood processing or
10 storage sites, flammable gas or liquids processing or storage
11 sites, or shooting ranges.

12 (w) Local Jurisdiction: Any county, city/county agency or
13 department, or any locally authorized district that approves or
14 has the authority to regulate Development.

15 (x) Local Responsibility Area (LRA): Those areas of land not
16 classified by the Board where the financial responsibility of
17 preventing and suppressing Wildfires is that of the state or
18 federal government, pursuant to Public Resources Code (PRC)
19 section 4125.

20 (y) Local Road: Roads identified by a Local Jurisdiction as a
21 local road pursuant to Title 23, Code of Federal Regulations, §
22 470.105 and in conformance with the procedures in the US Federal
23 Highway Administration "Highway Functional Classification
24 Concepts, Criteria, and Procedures," 2013 Edition, hereby
25 incorporated by reference.

(z) Municipal-Type Water System: A system having water pipes

March 15, 2021

1 servicing Fire Hydrants and designed to furnish, over and above
2 domestic consumption, a minimum of 250 gpm (950 L/min) at 20 psi
3 (138 kPa) residual pressure for a 2-hour duration.

4 (aa) New Road: A theoretical Road proposed in a Development
5 application.

6 (bb) Occupancy: The purpose for which a Building, or part
7 thereof, is used or intended to be used.

8 (cc) One-way Road: A minimum of one Traffic Lane width designed
9 for traffic flow in one direction only.

10 (dd) Perimeter: The boundary of an individual parcel and/or the
11 boundary of a tentative and final or parcel map, pursuant to
12 Government Code § 66411, within which lies any Building
13 construction.

14 (ee) Residential Unit: Any Building or portion thereof which
15 contains living facilities, including provisions for sleeping,
16 eating, cooking and/or sanitation for one or more persons.
17 Manufactured homes, mobilehomes, and factory-built housing are
18 considered residential units, unless being sited or installed as
19 an accessory or junior accessory dwelling unit in accordance
20 with [§ 1270.03\(d\) \(Scope - Exemptions - ADUs\)](#).

21 (ff) Ridgeline: The line of intersection of two opposing slope
22 aspects running parallel to the long axis of the highest
23 elevation of land.

24 (gg) Road: A public or private vehicular pathway to more than
25 two (2) parcels, more than four (4) residential units, or to any
industrial or commercial occupancy.

March 15, 2021

1 (hh) Road or Driveway Structures: Bridges, culverts, and other
2 appurtenant structures which supplement the Traffic Lane or
3 Shoulders.

4 (ii) Shoulder: A vehicular pathway adjacent to the Traffic Lane.

5 (jj) State Responsibility Area (SRA): As defined in Public
6 Resources Code sections 4126-4127; and the California Code of
7 Regulations, title 14, division 1.5, chapter 7, article 1,
8 sections 1220-1220.5.

9 (kk) Structure: That which is built or constructed, a Building
10 of any kind, or any piece of work artificially built up or
11 composed of parts joined together in some definite manner.

12 (ll) Substantial Compliance: Nearly complete satisfaction of all
13 material requirements consistent with the purpose of the
14 applicable State Minimum Fire Safe Regulations even though the
15 formal requirements are not satisfied.

16 (mm) Substantial Evidence: Enough relevant information and
17 reasonable inferences from this information that a fair argument
18 can be made to support a conclusion, in light of the whole
19 record of evidence, even though other conclusions might also be
20 reached. Argument, speculation, unsubstantiated opinion or
21 narrative, or evidence which is clearly erroneous or inaccurate
22 does not constitute substantial evidence. Substantial evidence
23 shall include facts, reasonable assumptions predicated upon
24 facts, and expert opinion supported by facts.

24 (nn) Traffic Lane: The portion of a Road or Driveway that
25 provides a single line of vehicle travel.

March 15, 2021

1 (oo) Turnaround: A portion of a Road or Driveway, unobstructed
2 by parking, which allows for a safe opposite change of direction
3 for Fire Apparatus. Design of such area may be a hammerhead/T or
4 terminus bulb.

5 (pp) Turnouts: A widening in a Road or Driveway to allow
6 vehicles to pass.

7 (qq) Undeveloped Ridgeline: A Ridgeline with no Buildings.

8 (rr) Utility and Miscellaneous Group U: A Structure of an
9 accessory character or a miscellaneous Structure not classified
10 in any specific Occupancy permitted, constructed, equipped, and
11 maintained to conform to the requirements of Title 24,
12 California Building Standards Code.

13 (ss) Vertical Clearance: The minimum specified height of a
14 bridge, overhead projection, or vegetation clearance above the
15 Road or Driveway.

16 (tt) Very High Fire Hazard Severity Zone (VHFHSZ): As defined in
17 Government Code section 51177(i).

18 (uu) Wildfire: As defined in Public Resources Code Section 4103
19 and 4104.

20 ~~(a) These regulations have been prepared and adopted for the~~
21 ~~purpose of establishing minimum wildfire protection standards in~~
22 ~~conjunction with building, construction and development in the~~
23 ~~State Responsibility Area (SRA) and, after July 1, 2021, the Very~~
24 ~~High Fire Hazard Severity Zones as defined in Government Code §~~
25 ~~51177(i) (VHFHSZ).~~

~~(b) The future design and construction of structures,~~

March 15, 2021

1 ~~subdivisions and developments in the SRA and, after July 1,~~
2 ~~2021, the VHFHSZ shall provide for basic emergency access and~~
3 ~~perimeter wildfire protection measures as specified in the~~
4 ~~following articles.~~

5 ~~(c) These measures shall provide for emergency access; signing~~
6 ~~and building numbering; private water supply reserves for~~
7 ~~emergency fire use; and vegetation modification. The fire~~
8 ~~protection standards which follow shall specify the minimums for~~
9 ~~such measures.~~

10 Note: Authority cited: Section 4290, Public Resources Code.
11 Reference: Sections 4290 and 4291, Public Resources Code.

12
13 § 1270.02. Purpose.—Scope

14 (a) These regulations have been prepared and adopted for the
15 purpose of establishing state minimum Wildfire protection
16 standards in conjunction with Building construction and
17 Development in the State Responsibility Area (SRA) and, after
18 July 1, 2021, the Very High Fire Hazard Severity Zones, as
19 defined in Government Code § 51177(i) (VHFHSZ).

20 (b) Building construction in the SRA and, after July 1, 2021,
21 the VHFHSZ shall provide for minimum Wildfire protection
22 standards as specified in the following articles.

23 (c) These standards shall provide for emergency ingress and
24 egress; signing and Building numbering; private water supply
25 reserves for emergency fire use; vegetation modification, Fuel
Breaks, Greenbelts, and measures to preserve Undeveloped

March 15, 2021

1 Ridgelines. The regulations which follow shall specify the
2 minimums for such standards.

3 (d) By limiting Building construction in those areas where these
4 minimum Wildfire protection standards are not satisfied, this
5 reduces the risk of wildfires in these areas, which among other
6 things protects the health, safety and welfare of residents, and
7 protects natural resources and the environment.

8 ~~(a) These regulations shall apply to:~~

9 ~~(1) the perimeters and access to all residential, commercial,
10 and industrial building construction within the SRA approved
11 after January 1, 1991, and those approved after July 1, 2021
12 within the VHFHSZ, except as set forth below in subsections (b)
13 through (d), inclusive, and (f);~~

14 ~~(2) the siting of newly installed commercial modulars,
15 manufactured homes, mobilehomes, and factory-built housing, as
16 defined in Health and Safety Code sections 18001.8, 18007,
17 18008, and 19971, except where being sited or installed as an
18 accessory or junior accessory dwelling unit as set forth in
19 subsection (d) below;~~

20 ~~(3) all tentative and parcel maps or other developments approved
21 after January 1, 1991; and~~

22 ~~(4) applications for Building permits on a parcel approved in a
23 pre-1991 parcel or tentative map to the extent that conditions
24 relating to the perimeters and access to the Buildings were not
25 imposed as part of the approval of the parcel or tentative map.~~

~~(b) These regulations do not apply where an application for a~~

March 15, 2021

1 ~~Building permit is filed after January 1, 1991 for Building~~
2 ~~construction on a parcel that was formed from a parcel map or~~
3 ~~tentative map (if the final map for the tentative map is~~
4 ~~approved within the time prescribed by the local ordinance)~~
5 ~~approved prior to January 1, 1991, to the extent that conditions~~
6 ~~relating to the perimeters and access to the Buildings were~~
7 ~~imposed by the parcel map or final tentative map approved prior~~
8 ~~to January 1, 1991.~~

9 ~~(c) (1) At the discretion of the Local Jurisdiction, and subject~~
10 ~~to any requirements imposed by the Local Jurisdiction to ensure~~
11 ~~reasonable ingress, egress, and capacity for evacuation and~~
12 ~~emergency response during a Wildfire, these regulations shall~~
13 ~~not apply to the reconstruction or repair of legally constructed~~
14 ~~residential, commercial, or industrial Buildings due to a~~
15 ~~Wildfire, to the extent that the reconstruction or repair does~~
16 ~~not:~~

17 ~~(A) increase the square footage of the residential, commercial,~~
18 ~~or industrial Building or Buildings that previously existed; or~~

19 ~~(B) change the use of the Building or Buildings that had existed~~
20 ~~previously; or~~

21 ~~(C) construct a new Building or Buildings that did not~~
22 ~~previously exist on the site.~~

23 ~~(2) Nothing in this subsection shall be construed to alter the~~
24 ~~extent to which these regulations apply to the reconstruction or~~
25 ~~repair of a legally constructed residential, commercial, or~~
~~industrial Building for reasons unrelated to a Wildfire.~~

March 15, 2021

1 ~~(d) These regulations do not apply to the creation of accessory~~
2 ~~or junior accessory dwelling units that comply with Government~~
3 ~~Code sections 65852.2 or 65852.22, or any local ordinances~~
4 ~~enacted thereunder, as applicable, including any local~~
5 ~~ordinances requiring provisions for fire and life safety.~~

6 ~~(e) Unless otherwise exempt pursuant to this Subchapter,~~
7 ~~affected activities include, but are not limited to:~~

8 ~~(1) permitting or approval of new parcels, excluding lot line~~
9 ~~adjustments as specified in Government Code (GC) section~~
10 ~~66412(d);~~

11 ~~(2) application for a Building permit for new Building~~
12 ~~construction;~~

13 ~~(3) application for a use permit; and~~

14 ~~(4) road construction.~~

15 ~~(f) EXEMPTION: Roads used solely for agricultural, mining, or~~
16 ~~the management and harvesting of wood products.~~

17 Note: Authority cited: Section 4290, Public Resources Code.

18 Reference: Sections 4290 and 4291, Public Resources Code.

19 § 1270.03. Scope. ~~Provisions for Application of The Regulations~~

20 (a) These regulations shall apply to:

21 (1) the Perimeters and Access to all residential,
22 commercial, and industrial Building construction within the SRA
23 approved after January 1, 1991 and those approved after July 1,
24 2021 within the VHFHSZ, except as set forth below in subsections

25 (b), (c), (d) and (e) below.

March 15, 2021

1 (2) the siting of newly installed commercial modulars,
2 manufactured homes, mobilehomes, and factory-built housing, as
3 defined in Health and Safety Code sections 18001.8, 18007,
4 18008, and 19971, except where being sited or installed as an
5 accessory or junior accessory dwelling unit as set forth in
6 subsection (d) below;

7 (3) all tentative and parcel maps or other Developments
8 approved after January 1, 1991; and

9 (4) applications for Building permits on a parcel approved
10 in a pre-1991 parcel or tentative map to the extent that
11 conditions relating to the Perimeters and Access to the
12 Buildings were not imposed as part of the approval of the parcel
13 or tentative map.

14 (b) These regulations do not apply where an application for a
15 Building permit in the SRA is filed after January 1, 1991 for
16 Building construction on a parcel that was formed from a parcel
17 map or tentative map (if the final map for the tentative map is
18 approved within the time prescribed by the local ordinance)
19 approved prior to January 1, 1991, to the extent that conditions
20 relating to the Perimeters and Access to the Buildings were
21 imposed by the parcel map or final tentative map approved prior
22 to January 1, 1991.

23 (1) For this exemption to apply, the parcel map or
24 tentative map that was approved prior to January 1, 1991, shall
25 have imposed conditions relating to the Perimeters and Access to
the Building construction that is the subject of the Building

March 15, 2021

1 permit application filed after January 1, 1991.

2 (2) These regulations shall apply to the Building
3 construction to the extent that conditions relating to the
4 Perimeters and Access to the Buildings were not imposed as part
5 of the approval of the parcel map or tentative map.

6 (c) At the discretion of the local jurisdiction, and subject to
7 any requirements imposed by the local jurisdiction to ensure
8 reasonable ingress, egress, and capacity for evacuation and
9 emergency response during a Wildfire, these regulations shall
10 not apply to the reconstruction or repair of a Building due to a
11 Wildfire, subject to the following:

12 (1) this exemption shall not apply if the reconstruction or
13 repair encroaches on the minimum setback requirements in [§](#)
14 [1276.01 Building and Parcel Siting and Setbacks](#);

15 (2) this exemption shall not apply if the reconstruction or
16 repair changes the use of the Building or Buildings that had
17 existed previously;

18 (3) nothing in this subsection shall be construed to alter
19 the extent to which these regulations apply to the
20 reconstruction or repair of a Building for reasons unrelated to
21 a Wildfire; and

22 (4) nothing in this subsection shall be construed to alter
23 the legal character of a Building reconstructed or repaired
24 pursuant to this exemption.

25 (d) These regulations do not apply to the creation of accessory
or junior accessory dwelling units that comply with Government

March 15, 2021

1 Code sections 65852.2 or 65852.22, or any local ordinances
2 enacted thereunder, as applicable, including any local
3 ordinances requiring provisions for fire and life safety.

4 (e) These regulations shall not apply to Roads used solely for
5 Agriculture, mining, or the management of timberland and
6 harvesting of forest products.

7 ~~This Subchapter shall be applied as follows:~~

8 ~~(a) the Local Jurisdictions shall provide the Director of~~
9 ~~the California Department of Forestry and Fire Protection (CAL~~
10 ~~FIRE) or their designee with notice of applications for Building~~
11 ~~permits, tentative parcel maps, tentative maps, and installation~~
12 ~~or use permits for construction or development within the SRA.~~

13 ~~(b) the Director or their designee may review and make fire~~
14 ~~protection recommendations on applicable construction or~~
15 ~~development permits or maps provided by the Local Jurisdiction.~~

16 ~~(c) the Local Jurisdiction shall ensure that the applicable~~
17 ~~sections of this Subchapter become a condition of approval of~~
18 ~~any applicable construction or development permit or map.~~

19 Note: Authority cited: Section 4290, Public Resources Code.

20 Reference: Sections 4290 and 4291, Public Resources Code.

21 § 1270.04. Local Regulations Ordinances.

22 (a) These regulations shall serve as the minimum Wildfire
23 protection standards applied in SRA and VHFHSZ. However, these
24 regulations do not supersede local regulations which equal or
25 exceed the standards of this Subchapter. ~~Nothing contained in~~

March 15, 2021

1 ~~these regulations shall be considered as abrogating the~~
2 ~~provisions of any ordinance, rule or regulation of any state or~~
3 ~~Local Jurisdiction provided that such ordinance, rule, or~~
4 ~~regulation is equal to or exceeds these minimum standards.~~

5 (b) A local regulation equals or exceeds a minimum standard of
6 this Subchapter only if, at a minimum, the local regulation also
7 fully complies with the corresponding minimum standard in this
8 Subchapter. ~~Counties may submit their local ordinances for~~
9 ~~certification via email to the Board, and the Board may certify~~
10 ~~them as equaling or exceeding these regulations when they~~
11 ~~provide the same practical effect. If the Board determines that~~
12 ~~the local requirements do not equal or exceed these regulations,~~
13 ~~it shall not certify the local ordinance.~~

14 (c) A Local Jurisdiction shall not apply exemptions that are not
15 enumerated in this Subchapter. Exceptions requested and approved
16 in conformance with [§ 1270.06 \(Exceptions to Standards\)](#) may be
17 granted on a case-by-case basis. ~~When the Board grants~~
18 ~~certification, the local ordinances, in lieu of these~~
19 ~~regulations, shall be applied as described in 14 CCR § 1270.02~~
20 ~~and used as the basis for inspections performed under 14 CCR §~~
21 ~~1270.05.~~

22 (d) A Local Jurisdiction or Fire Authority may notify the Board
23 upon commencement of any revisions to relevant local
24 regulations. The Board may provide technical assistance to the
25 agency during the revision drafting process. ~~The Board's~~
~~certification of local ordinances pursuant to this section is~~

March 15, 2021

1 ~~rendered invalid when previously certified ordinances are~~
2 ~~subsequently amended by Local Jurisdictions, or the regulations~~
3 ~~are amended by the Board, without Board re-certification of the~~
4 ~~amended ordinances. The Board's regulations supersede the~~
5 ~~amended local ordinance(s) when the amended local ordinance(s)~~
6 ~~are not re-certified by the Board. Amendments made by Local~~
7 ~~Jurisdictions to previously certified ordinances shall be~~
8 ~~submitted for re-certification.~~

9 (e) The Local Jurisdiction or Fire Authority may submit their
10 draft regulation to the Board at least 90 days before the first
11 meeting of the Local Jurisdiction or Fire Authority at which the
12 proposed draft will be presented to the public.

13 (f) The Board may provide recommendations on the draft within 60
14 days.

15 (g) Notwithstanding a local regulation that equals or exceeds
16 the State Minimum Fire Safe Regulations, Building construction
17 shall comply with the State Minimum Fire Safe Regulations.

18 Note: Authority cited: Section 4290, Public Resources Code.
19 Reference: Sections 4290 and 4291, Public Resources Code.

20 § 1270.05. Inspections.

21 Inspections shall conform to the following requirements:

22 (a) Inspections in the SRA shall be made by:

23 (1) the Director, or

24 (2) Local Jurisdictions that have assumed state fire
25 protection responsibility on SRA lands, or

March 15, 2021

1 (3) Local Jurisdictions where the inspection duties have
2 been formally delegated by ~~CAL FIRE~~ the Director to the Local
3 Jurisdiction, pursuant to subsection (b).

4 (b) The Director may delegate inspection authority to a Local
5 Jurisdiction subject to all of the following criteria:

6 (1) The Local Jurisdiction represents that they have
7 appropriate resources to perform the delegated inspection
8 authority.

9 (2) The Local Jurisdiction acknowledges that CAL FIRE's
10 authority under subsection (d) shall not be waived or
11 restricted.

12 (3) The Local Jurisdiction consents to the delegation of
13 inspection authority.

14 (4) The Director may revoke the delegation at any time.

15 (5) The delegation of inspection authority, and any
16 subsequent revocation of the delegation, shall be documented in
17 writing, and retained on file at the CAL FIRE Unit headquarters
18 that administers SRA fire protection in the Local Jurisdiction.

19 ~~Nothing in this section abrogates CAL FIRE's authority to~~
20 ~~inspect and enforce state forest and fire laws even when the~~
21 ~~inspection duties have been delegated pursuant to this section.~~

22 (c) Inspections in the VHFHSZ shall be made by the Local
23 Jurisdiction or Fire Authority.~~Reports of violations shall be~~
24 ~~provided to the CAL FIRE Unit headquarters that administers SRA~~
25 ~~fire protection in the Local Jurisdiction.~~

(d) Nothing in this section abrogates CAL FIRE's authority to

March 15, 2021

1 inspect and enforce state forest and fire laws in the SRA even
2 when the inspection duties have been delegated pursuant to this
3 section. ~~When inspections are conducted, they shall occur prior~~
4 ~~to: the issuance of the use permit or certificate of occupancy;~~
5 ~~the recordation of the parcel map or final map; the filing of a~~
6 ~~notice of completion; or the final inspection of any project or~~
7 ~~Building permit.~~

8 (e) Reports of violations within the SRA shall be provided to
9 the CAL FIRE Unit headquarters that administers SRA fire
10 protection in the Local Jurisdiction.

11 (f) Inspections conducted by the Director shall be limited to
12 confirming compliance with the State Minimum Fire Safe
13 Regulations. Inspections conducted by the Local Jurisdiction or
14 Fire Authority shall confirm compliance with the State Minimum
15 Fire Safe Regulations. A Local Jurisdiction may, in its
16 discretion, conduct additional inspections with respect to a
17 local regulation that equals or exceeds the State Minimum Fire
18 Safe Regulations.

19 (g) The Local Jurisdiction shall ensure that any applicable
20 Building construction complies with the applicable sections of
21 this Subchapter.

22 Note: Authority cited: Section 4290, Public Resources Code.
23 Reference: Sections 4102, 4119, 4125, 4290 and 4291, Public
24 Resources Code.
25

March 15, 2021

1 § 1270.06. Exceptions to Standards.

2 (a) The requirements in this section apply to requests for
3 Exceptions from the standards in the State Minimum Fire Safe
4 Regulations.

5 (~~ba~~) Upon request by the applicant, an ~~e~~Exceptions to a
6 standards within this ~~s~~Subchapter or to Local Jurisdiction
7 ~~certified ordinances~~ may be granted allowed by the inspection
8 entity in accordance with ~~listed in~~ [§ 1270.05 \(Inspections\)](#).
9 ~~where the exceptions provide the same practical effect as these~~
10 ~~regulations towards providing defensible space.~~

11 (1) Exceptions shall only be granted where the Exception
12 provides for Substantial Compliance with the minimum standards
13 provided in this Subchapter.

14 (2) Exceptions granted by the inspection entity ~~listed in~~
15 ~~14 CCR § 1270.05~~ shall be made on a case-by-case basis only,
16 shall be in writing, and shall be supported by Substantial
17 Evidence. Exceptions granted by the inspection entity ~~listed in~~
18 ~~14 CCR § 1270.05~~ shall be forwarded to the Board and the
19 appropriate CAL FIRE unit headquarters ~~Unit~~ ~~Office~~ that
20 administers SRA fire protection in that Local Jurisdiction, or
21 the county in which the Local Jurisdiction is located~~county~~.

22 Exceptions shall be retained on file at both offices for a
23 period of no less than five (5) years. ~~and shall be retained on~~
24 ~~file at the Unit Office.~~

25 (~~bc~~) Requests for an ~~e~~Exception shall be made in writing to the
inspection entity ~~listed in 14 CCR § 1270.05~~ by the applicant or

March 15, 2021

1 the applicant's authorized representative.

2 (1) At a minimum, the Exception requests shall state

3 (i) the specific section(s) for which an eException is
4 requested;

5 (ii) material facts supporting the necessity for an
6 Exception contention of the applicant;

7 (iii) material facts demonstrating the proposed
8 alternative mean(s) Substantially Complies with the State
9 Minimum Fire Safe Regulation for which the Exception is
10 requested; the details of the exception proposed, and

11 (iv) a map showing the proposed location and siting of
12 the eException, including address or parcel number, as
13 applicable.

14 (2) Local Jurisdictions acting as inspection entities
15 pursuant to listed in § 1270.05 (Inspections) may establish
16 additional procedures or requirements for eException
17 requests.

18 ~~(ed) Where an exception is not granted by the inspection entity,~~
19 ~~the applicant may appeal such denial to the Local Jurisdiction.~~

20 Exception decisions may be appealed. The Local Jurisdiction may
21 establish or utilize an appeal process consistent with existing
22 local Building or planning department appeal processes.

23 (1) In addition to local requirements, the Local
24 Jurisdiction shall consult with the inspection entity prior to
25 making a determination on an appeal.

(2) The inspection entity shall provide documentation

March 15, 2021

1 demonstrating how the requested Exception does or does not
2 substantially comply with the standards in this Subchapter.

3 ~~Before the Local Jurisdiction makes a determination on an~~
4 ~~appeal, the inspection authority shall be consulted and shall~~
5 ~~provide to that Local Jurisdiction documentation outlining the~~
6 ~~effects of the requested exception on Wildfire protection.~~

7 (e) If an appeal is granted, the Local Jurisdiction shall make
8 written findings of the Exception's Substantial Compliance, as
9 defined [§ 1270.01 \(Definitions\)](#), with the minimum standards in
10 this Subchapter, supported by Substantial Evidence. ~~that the~~
11 ~~decision meets the intent of providing defensible space~~
12 ~~consistent with these regulations.~~ Such findings shall include a
13 written statement of reasons for overriding the decision of the
14 inspection entity, if necessary. A written copy of these
15 findings shall be provided to the Board and the CAL FIRE Unit
16 headquarters that administers SRA fire protection in that Local
17 Jurisdiction, or in the county in which the Local Jurisdiction
18 is located.

19 Note: Authority cited: Section 4290, Public Resources Code.

20 Reference: Sections 4290 and 4291, Public Resources Code.

21 § 1270.07. Distance Measurements.

22 All specified or referenced distances are measured along the
23 ground, unless otherwise stated.

24 Note: Authority cited: Section 4290, Public Resources Code.

25 Reference: Sections 4290 and 4291, Public Resources Code.

1
2 Article 2. ~~Emergency Access~~ Ingress and Egress

3 § 1273.00. Purpose and Application ~~Intent~~.

4 (a) New Roads, ~~and~~ Driveways, and Road or Driveway Structures,
5 whether public or private, unless exempted under [§ 1270.03\(b\) -](#)
6 [\(e\) \(Scope - Exemptions\)](#) ~~14 CCR 1270.02(e)~~, shall provide for
7 concurrent Fire Apparatus ingress and safe access for emergency
8 wildfire equipment and civilian evacuation concurrently, and
9 shall provide unobstructed traffic circulation during a
10 wildfire emergency consistent with 14 CCR §§ 1273.00 through
11 1273.09, as set forth in this Article.

12 (b) The provisions of this Article and [Article 3 \(Signing and](#)
13 [Building Numbering\)](#) shall apply to all New Roads, Driveways, or
14 Road or Driveway Structures. The provisions of this Article and
15 [Article 3 \(Signing and Building Numbering\)](#) shall further apply
16 to all Existing Roads, Driveways, or Road or Driveway Structures
17 within a Perimeter.

18 (c) The provisions of this Article and [Article 3 \(Signing and](#)
19 [Building Numbering\)](#) shall further apply to any Existing Road,
20 Driveway, or Road or Driveway Structure that provides Access to
21 Building construction which includes

22 (1) the permitting or approval of three (3) or more new
23 parcels, excluding lot line adjustments as specified in
24 Government Code (GC) section 66412(d); or

25 (2) an application for a change of zoning which proposes to
increase zoning intensity or density; or

March 15, 2021

1 (3) an application for a change in use permit which
2 proposes to increase use intensity or density.

3 (d) Notwithstanding any other provision in this Subchapter,
4 Building construction is prohibited where Access is provided by
5 a Road that does not meet the minimum requirements in § 1273.12
6 (Standards for Existing Roads).

7 Note: Authority cited: Section 4290, Public Resources Code.
8 Reference: Sections 4290 and 4291, Public Resources Code.

9
10 § 1273.01. Horizontal and Vertical Curves / Curb Radii Width.

11 (a) No Road or Road Structure shall have a horizontal inside
12 radius of curvature (measured from the centerline of the inside
13 lane) of less than fifty (50) feet, except as provided for in
14 subsections (b), (c), and (d).

15 (1) An additional four (4) feet of surface width shall be
16 added to the required widths in [§ 1273.05 \(Road and Driveway](#)
17 [Width and Horizontal Clearances](#)) to curves of 50-100 feet
18 radius.

19 (2) One (1) foot of additional Road width shall be added to
20 curves of 100-200 feet, as illustrated on Figure 1 and Figure 2.

21 (3) Flexible posts may be placed within the required
22 radius.

23 (b) Where the operating speed of a Road is 15 miles per hour
24 (mph) or less, an alternative standard to subsection (a) based
25 on modeling performed by a Professional Engineer, as described
within the Professional Engineers Act (Chapter 7 of Division 3

March 15, 2021

1 of the Business and Professions Code), that demonstrates Fire
2 Apparatus can negotiate the proposed horizontal inside radius
3 satisfies the requirement of this section.

4 (c) At intersections where on-street parking and bike lanes may
5 be present or where width allows, smaller curb radii or curb
6 extensions to minimize pedestrian exposure and collision
7 severity are present, the effective turning radius shall not be
8 less than fifty (50) feet as illustrated in Figure 3 below.

9 (d) At intersections in areas without on-street parking and/or
10 bike lanes where speeds approaching the intersection are less
11 than 15 mph; and traffic volumes on the receiving road are less
12 than 120 vehicles per hour during either an evacuation event or
13 during the peak commute hour, whichever is a higher volume, curb
14 radii of twenty (20) feet based on modeling performed by a
15 Professional Engineer, as described within the Professional
16 Engineers Act (Chapter 7 of Division 3 of the Business and
17 Professions Code), that demonstrates Fire Apparatus can
18 negotiate the proposed horizontal inside radius as illustrated
19 in Figure 4, satisfies the requirement of this section.

20 (e) The length of vertical curves of roads, exclusive of
21 gutters, ditches, and drainage structures designed to hold or
22 divert water, shall be not less than one hundred (100) feet.

1
2
3
4
5
6
7
8
9
10
11
12
13
14
15
16
17
18
19
20
21
22
23
24
25

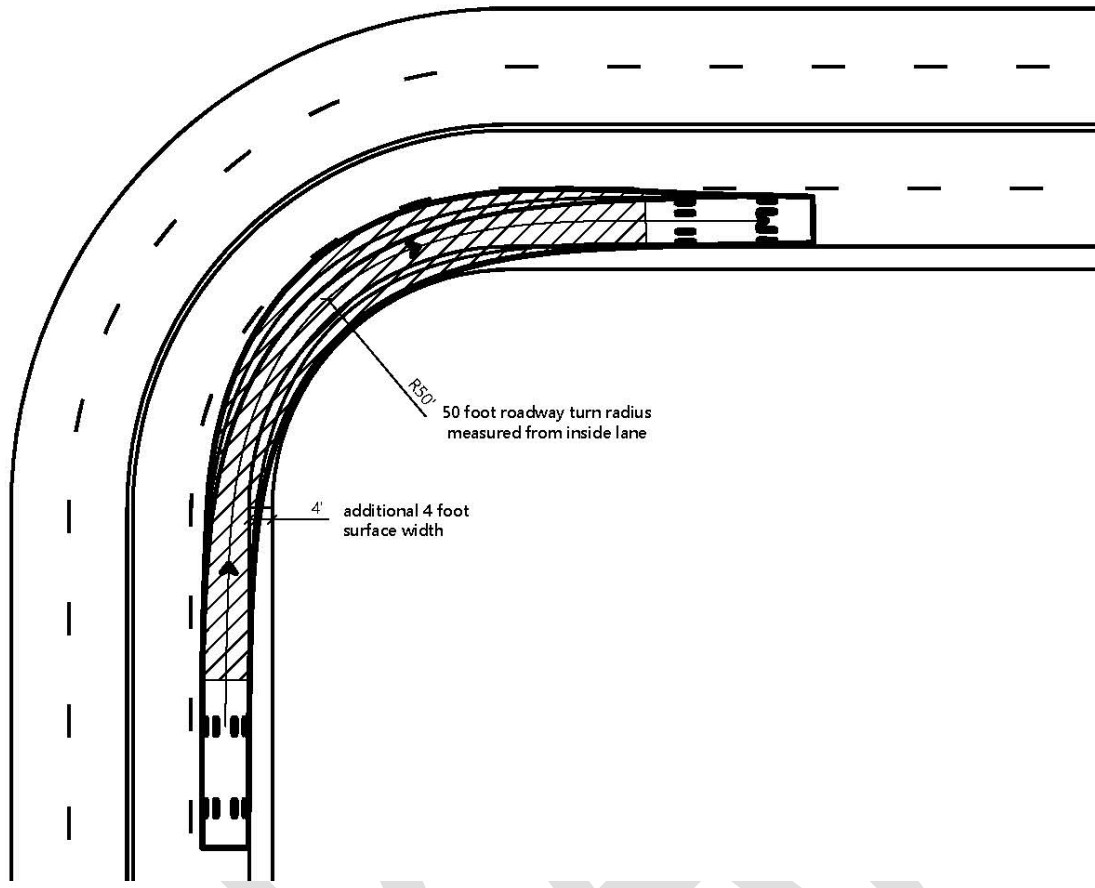


Figure 1
Effective Turning Radius for Horizontal Curvature with 50 Foot Radius

1
2
3
4
5
6
7
8
9
10
11
12
13
14
15
16
17
18
19
20
21
22
23
24
25

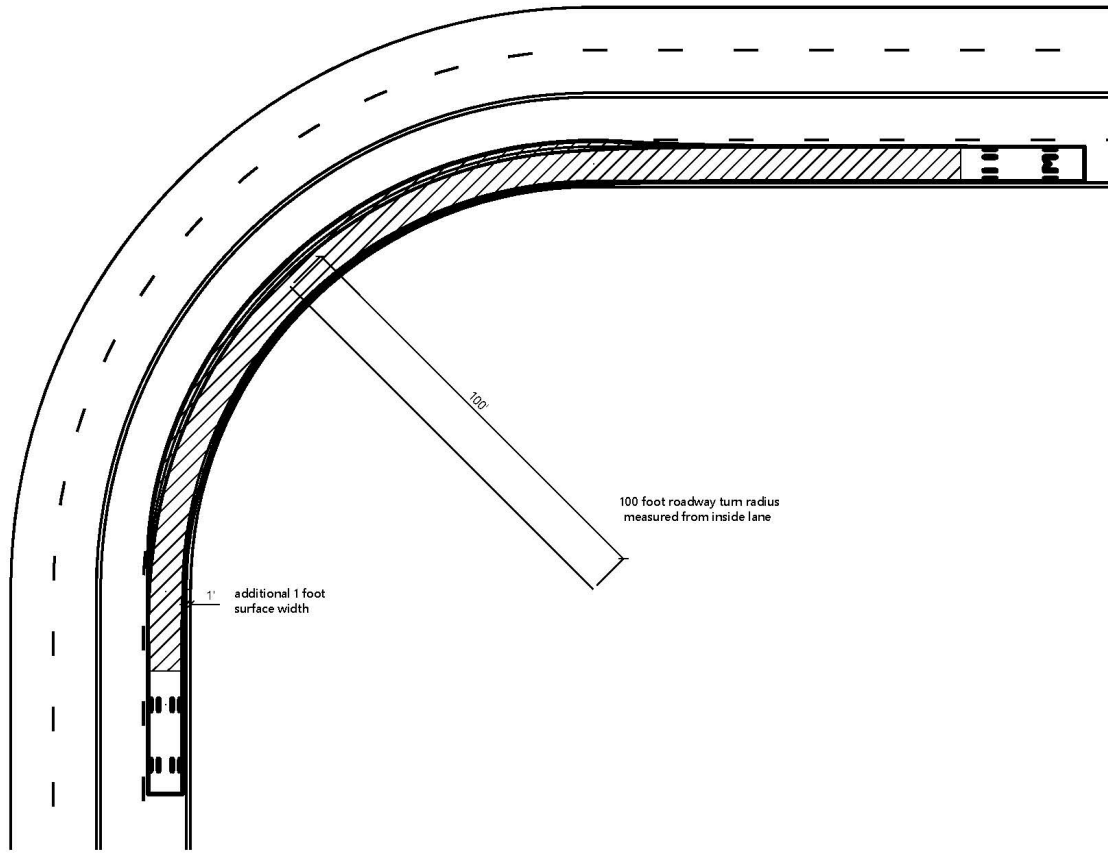


Figure 2
Effective Turning Radius for Horizontal Curvature with 100 Foot Radius

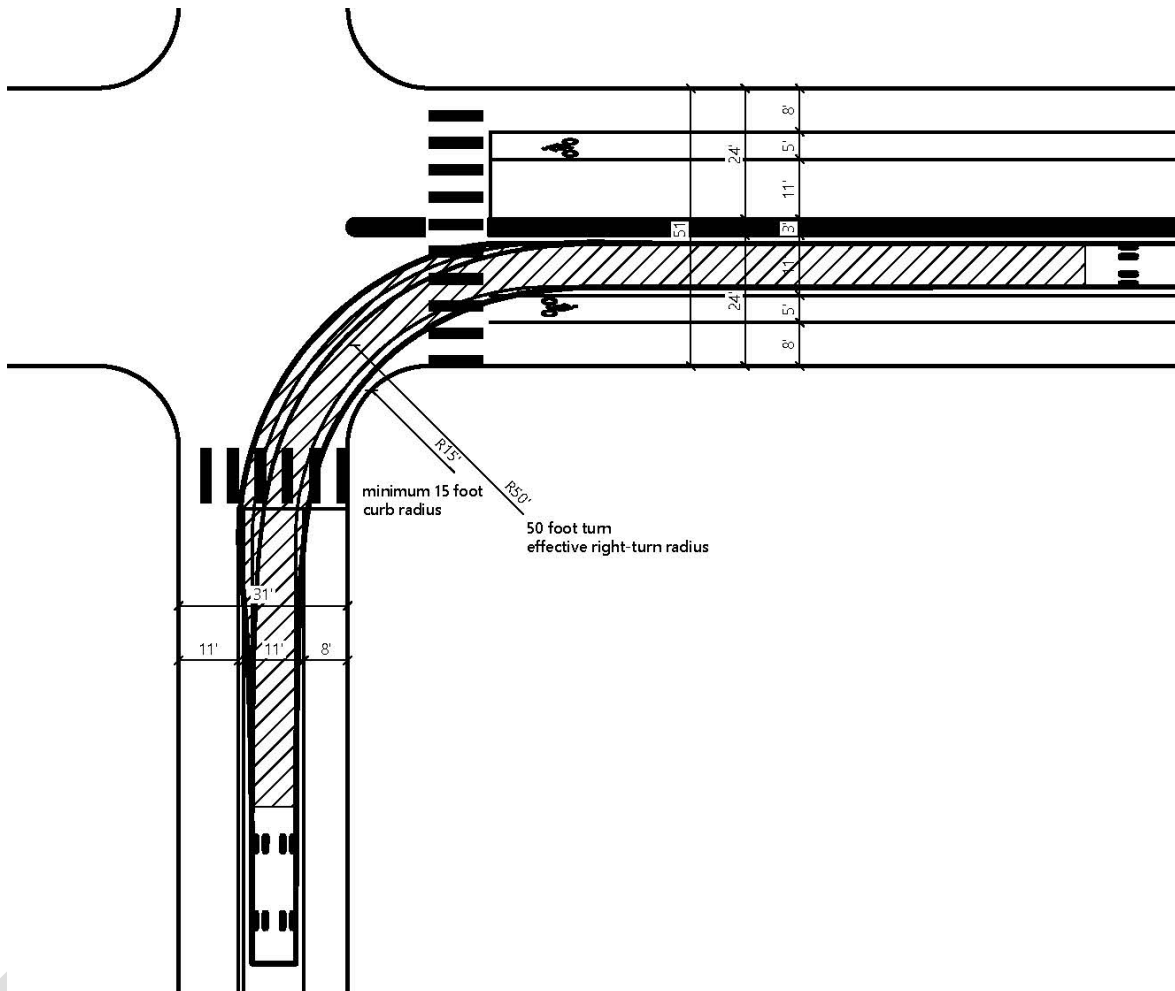


Figure 3
Effective Turning Radius for Intersections with Bike Lanes or Parking

1
2
3
4
5
6
7
8
9
10
11
12
13
14
15
16
17
18
19
20
21
22
23
24
25

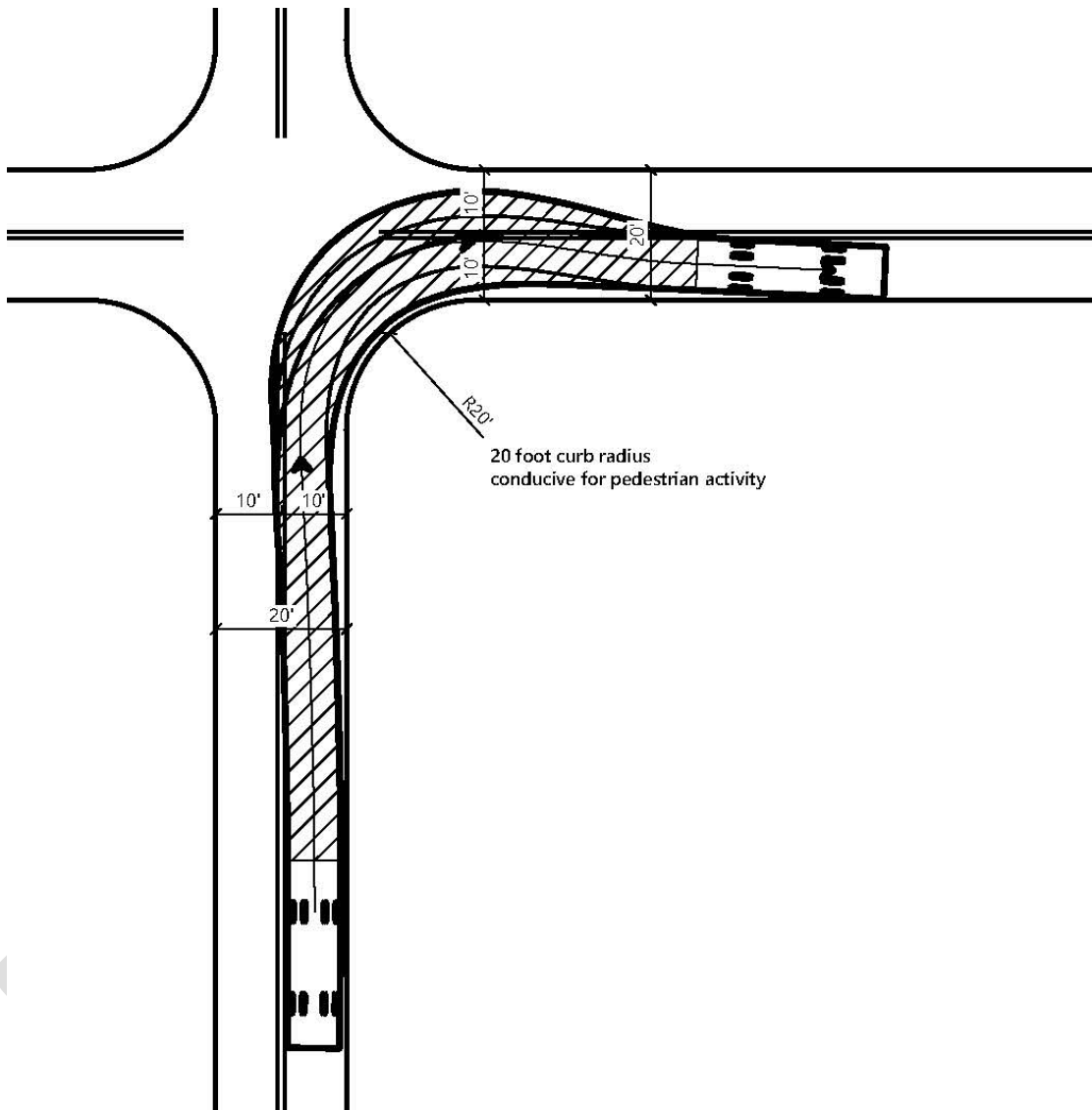


Figure 4
Effective Turning Radius for 20 Foot Wide Road Intersection

March 15, 2021

1 ~~(a) All roads shall be constructed to provide a minimum of two~~
2 ~~ten (10) foot traffic lanes, not including shoulder and~~
3 ~~striping. These traffic lanes shall provide for two-way traffic~~
4 ~~flow to support emergency vehicle and civilian egress, unless~~
5 ~~other standards are provided in this article or additional~~
6 ~~requirements are mandated by Local Jurisdictions or local~~
7 ~~subdivision requirements. Vertical clearances shall conform to~~
8 ~~the requirements in California Vehicle Code section 35250.~~

9 ~~(b) All one-way roads shall be constructed to provide a minimum~~
10 ~~of one twelve (12) foot traffic lane, not including shoulders.~~
11 ~~The Local Jurisdiction may approve one-way roads.~~

12 ~~(1) All one-way roads shall, at both ends, connect to a road~~
13 ~~with two traffic lanes providing for travel in different~~
14 ~~directions, and shall provide access to an area currently zoned~~
15 ~~for no more than ten (10) residential units.~~

16 ~~(2) In no case shall a one-way road exceed 2,640 feet in length.~~
17 ~~A turnout shall be placed and constructed at approximately the~~
18 ~~midpoint of each one-way road.~~

19 ~~(c) All driveways shall be constructed to provide a minimum of~~
20 ~~one (1) ten (10) foot traffic lane, fourteen (14) feet~~
21 ~~unobstructed horizontal clearance, and unobstructed vertical~~
22 ~~clearance of thirteen feet, six inches (13' 6").~~

23 Note: Authority cited: Section 4290, Public Resources Code.
24 Reference: Sections 4290 and 4291, Public Resources Code.
25

March 15, 2021

1 § 1273.02. Road and Driveway Surfaces.

2 (a) Roads shall be designed and maintained to support the
3 imposed load of ~~Fire~~ ~~Apparatus~~ weighing at least 75,000
4 pounds., ~~and provide an aggregate base.~~ The surface material of
5 the Road shall be non-erodible (including, but not limited to, a
6 binding agent, gravel, lime slurry, or pavement) and designed to
7 support the required weight at all times, including during
8 saturated soil conditions. Roads with a grade of greater than
9 16% have additional surface treatment requirements specified in
10 § 1273.04 (Road and Driveway Grades).

11 (b) Driveways and road and driveway structures shall be designed
12 and maintained to support at least 36,0000 ~~40,000~~ pounds.

13 (c) The ~~P~~project proponent shall provide certified engineered
14 engineering specifications to support the Road design, if
15 requested by the ~~Local authority having~~ Jurisdiction.

16 Note: Authority cited: Section 4290, Public Resources Code.

17 Reference: Sections 4290 and 4291, Public Resources Code.

18 § 1273.03. Bridge or Elevated Structures on Roads and Driveways.
19 Grades.

20 (a) Signing in conformance with the requirements in Article 3
21 (Signing and Building Numbering), shall reflect the capability
22 of each bridge or elevated structure, including but not limited
23 to weight or vertical clearance limitations, one-way road or
24 single Traffic Lane conditions, or bridge weight rating limits.

25 (b) Bridges and elevated structures shall be designed and

March 15, 2021

1 constructed to accommodate a gross vehicle weight rating of
2 75,000 pounds. Vehicle load limits shall be posted at both
3 entrances to bridges.

4 (1) Bridges or elevated structures may support a maximum
5 weight of less than 75,000 pounds if the Fire Authority verifies
6 that the Fire Apparatus most likely to be used will be under the
7 maximum load weight of the bridge.

8 (2) If the bridge or elevated structure is designed for a
9 lower weight, then it shall be identified through signing as
10 required in [Article 3 \(Signing and Building Numbering\)](#). In no
11 case shall the bridge or elevated structure be designed to
12 support a weight below 36,000 pounds.

13 (3) American Association of State Highway and
14 Transportation Officials (AASHTO) Standard Specifications for
15 Highway Bridges, 17th Edition, published 2002 (known as AASHTO
16 HB-17), hereby incorporated by reference, may be used in lieu of
17 total vehicle weight if bridges and elevated structures are
18 designed and certified by a Professional Engineer, as described
19 within the Professional Engineers Act (Chapter 7 of Division 3
20 of the Business and Professions Code).

21 (c) Where elevated surfaces designed for Fire Apparatus use are
22 adjacent to surfaces which are not designed for such use,
23 barriers, signs, and/or other distinguishing features, as
24 approved by the Local Jurisdiction, shall be installed and
25 maintained.

(d) Notwithstanding the above requirements, a bridge or

March 15, 2021

1 elevated structure with only one Traffic Lane satisfies the
2 requirements of this section so long as it provides for
3 unobstructed visibility from one end to the other and Turnouts
4 at both ends. Bridges or elevated structures with only one
5 Traffic Lane shall be implemented consistent with requirements
6 outlined in [§ 1273.05 \(Road and Driveway Width and Horizontal](#)
7 [Clearances\)](#).

8 (e) Bridges and elevated structures shall be constructed of
9 non-combustible materials.

10 ~~(a) At no point shall the grade for all roads and driveways~~
11 ~~exceed 16 percent.~~

12 ~~(b) The grade may exceed 16%, not to exceed 20%, with approval~~
13 ~~from the local authority having jurisdiction and with~~
14 ~~mitigations to provide for same practical effect.~~

15 Note: Authority cited: Section 4290, Public Resources Code.
16 Reference: Sections 4290 and 4291, Public Resources Code.

17 ~~§ 1273.04. Road and Driveway Grades. ~~Radius.~~~~

18 ~~(a) The grades for all Roads and Driveways shall not exceed~~
19 ~~sixteen (16) percent.~~

20 ~~(b) Notwithstanding subsection (a), Road or Driveway grades of~~
21 ~~16 to 20 percent satisfy the requirements of this section if the~~
22 ~~Road has been treated to prevent slippage (including, but not~~
23 ~~limited to, aggregate treatments, binding agents, and/or paving)~~
24 ~~and scraping.~~

March 15, 2021

1 (c) Grade transitions shall be constructed and designed to
2 accommodate maximum approach and departure angles of twelve (12)
3 degrees.

4 ~~(a) No road or road structure shall have a horizontal inside
5 radius of curvature of less than fifty (50) feet. An additional
6 surface width of four (4) feet shall be added to curves of 50-
7 100 feet radius; two (2) feet to those from 100-200 feet.~~

8 ~~(b) The length of vertical curves in roadways, exclusive of
9 gutters, ditches, and drainage structures designed to hold or
10 divert water, shall be not less than one hundred (100) feet.~~

11 Note: Authority cited: Section 4290, Public Resources Code.

12 Reference: Sections 4290 and 4291, Public Resources Code.

13
14 § 1273.05. Road and Driveway Width and Horizontal Clearances
15 Turnarounds.

16 (a) All bidirectional Roads shall provide a minimum of two ten
17 (10) foot Traffic Lanes, not including Shoulders or striping.

18 Where topographic or other limitations require the two Traffic
19 Lanes to be constructed non-adjacently, each Traffic Lane shall
20 provide a minimum of twelve (12) feet.

21 (b) All One-way Roads shall provide a minimum of one twelve
22 (12) foot Traffic Lane.

23 (c) One-way Roads shall maintain a Clear Width of 20 feet.
24 Bidirectional Roads with a center median shall maintain a Clear
25 Width of 20 feet on either side of the median. This Clear Width

March 15, 2021

1 may include bike lanes, Shoulders, or flexible barriers used as
2 traffic calming devices or to delineate a bicycle facility, or
3 for other uses.

4 (d) All Driveways shall be constructed to provide a minimum of
5 one (1) ten (10) foot Traffic Lane, fourteen (14) feet
6 unobstructed horizontal clearance Clear Width, and unobstructed
7 Vertical Clearance of thirteen feet, six inches (13' 6").

8 ~~(a) Turnarounds are required on driveways and dead-end roads.~~

9 ~~(b) The minimum turning radius for a turnaround shall be forty
10 (40) feet, not including parking, in accordance with the figures
11 in 14 CCR §§ 1273.05(e) and 1273.05(f). If a hammerhead/T is
12 used instead, the top of the "T" shall be a minimum of sixty
13 (60) feet in length.~~

14 ~~(c) Driveways exceeding 150 feet in length, but less than 800
15 feet in length, shall provide a turnout near the midpoint of the
16 driveway. Where the driveway exceeds 800 feet, turnouts shall be
17 provided no more than 400 feet apart.~~

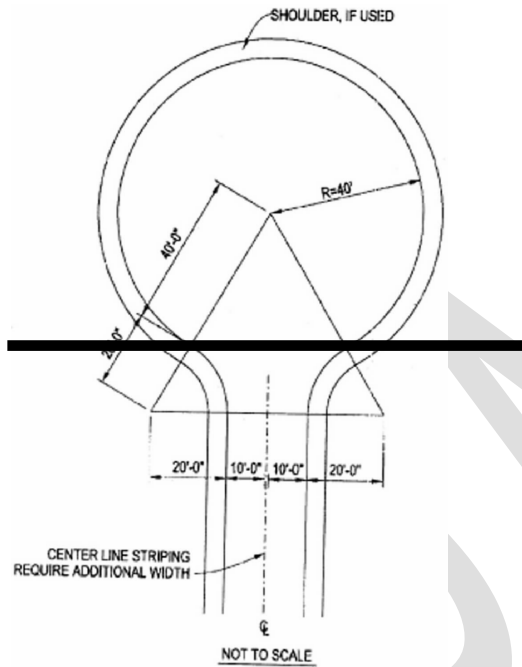
18 ~~(d) A turnaround shall be provided on driveways over 300 feet in
19 length and shall be within fifty (50) feet of the Building.~~

20 ~~(d) Each dead-end road shall have a turnaround constructed at
21 its terminus. Where parcels are zoned five (5) acres or larger,
22 turnarounds shall be provided at a maximum of 1,320 foot
23 intervals.~~

24 ~~(e) Figure A. Turnarounds on roads with two ten-foot traffic
25 lanes.~~

March 15, 2021

1 ~~Figure A/Image 1 is a visual representation of paragraph (b).~~



2
3
4
5
6
7
8
9
10
11
12
13
14
15
16 Note: Authority cited: Section 4290, Public Resources Code.

17 Reference: Sections 4290 and 4291, Public Resources Code.

18
19 § 1273.06 Road and Driveway Vertical Clearances Turnouts

20 Roads and Driveways shall provide for a minimum of thirteen feet
21 and six inches (13' 6") of unobstructed Vertical Clearance.

22 ~~Turnouts shall be a minimum of twelve (12) feet wide and thirty~~
23 ~~(30) feet long with a minimum twenty-five (25) foot taper on~~
24 ~~each end.~~

25 Note: Authority cited: Section 4290, Public Resources Code.

March 15, 2021

1 Reference: Sections 4290 and 4291, Public Resources Code.

2
3 ~~§ 1273.07 Maximum Lengths of New One-Way Roads Road and~~
4 ~~Driveway Structures~~

5 ~~(a) In no case shall a New One-Way Road exceed 2,640 feet in~~
6 ~~length.~~

7 ~~(a) Appropriate signing, including but not limited to weight or~~
8 ~~vertical clearance limitations, one-way road or single traffic~~
9 ~~lane conditions, shall reflect the capability of each bridge.~~

10 ~~(b) Where a bridge or an elevated surface is part of a fire~~
11 ~~apparatus access road, the bridge shall be constructed and~~
12 ~~maintained in accordance with the American Association of State~~
13 ~~and Highway Transportation Officials Standard Specifications for~~
14 ~~Highway Bridges, 17th Edition, published 2002 (known as AASHTO~~
15 ~~HB-17), hereby incorporated by reference. Bridges and elevated~~
16 ~~surfaces shall be designed for a live load sufficient to carry~~
17 ~~the imposed loads of fire apparatus. Vehicle load limits shall~~
18 ~~be posted at both entrances to bridges when required by the~~
19 ~~local authority having jurisdiction.~~

20 ~~(c) Where elevated surfaces designed for emergency vehicle use~~
21 ~~are adjacent to surfaces which are not designed for such use,~~
22 ~~barriers, or signs, or both, as approved by the local authority~~
23 ~~having jurisdiction, shall be installed and maintained.~~

24 ~~(d) A bridge with only one traffic lane may be authorized by the~~
25 ~~local jurisdiction; however, it shall provide for unobstructed~~

March 15, 2021

1 ~~visibility from one end to the other and turnouts at both ends.~~

2 Note: Authority cited: Section 4290, Public Resources Code.

3 Reference: Sections 4290 and 4291, Public Resources Code.

4
5 § 1273.08 Maximum Lengths of New Dead-end Roads

6 (a) ~~The maximum length of a New Dead-end Road, including all
7 ~~dead end roads accessed from that dead end road,~~ shall not
8 exceed the following cumulative lengths, ~~regardless of the~~
9 ~~number of parcels served:~~~~

10 (1) for Roads with parcels zoned for less than not to
11 exceed one (1) acre - 800 feet;

12 (2) for Roads with parcels zoned for 1 acre up to 4.99
13 acres - 1,320 feet;

14 (3) for Roads with parcels zoned for 5 acres to 19.99 or
15 larger - 2,640 feet.

16 ~~parcels zoned for 20 acres or larger - 5,280 feet~~

17 ~~All lengths shall be measured from the edge of the road surface~~
18 ~~at the intersection that begins the road to the end of the road~~
19 ~~surface at its farthest point. Where a dead-end road crosses~~
20 ~~areas of differing zoned parcel sizes requiring different length~~
21 ~~limits, the shortest allowable length shall apply.~~

22 (b) All new Dead-end Roads shall meet the Turnaround
23 requirements in [§ 1273.05.08. \(Road and Driveway Turnarounds\)](#).

24 See 14 CCR § 1273.05 for dead-end road turnaround requirements.

25 (c) All new Dead-end Roads shall meet the width requirements in

March 15, 2021

1 § 1273.05 (Road and Driveway Width and Horizontal Clearances).

2 (d) Each new Dead-end Road shall be connected directly to a
3 through road (a road that is connected to other roads at both
4 ends).

5 (e) The length of new Dead-end Roads shall be measured from the
6 center line of the through road it connects to, to the terminus
7 of the Dead-end Road at its farthest point.

8 (f) Where a new Dead-end Road provides access to differing
9 zoned parcel sizes requiring different length limits, the
10 shortest allowable length shall apply.

11 Note: Authority cited: Section 4290, Public Resources Code.

12 Reference: Sections 4290 and 4291, Public Resources Code.

13
14 § 1273.09 Road and Driveway Turnouts Gate Entrances

15 (a) Turnouts shall be a minimum of twelve (12) feet wide from
16 the shoulder stripe, twenty-two (22) feet long with a minimum
17 twenty-five (25) foot taper on each end and be facilitated
18 outside of the Traffic Lane to accommodate one passenger vehicle
19 as illustrated on Figure 5.

20 (b) On One-way Roads and Dead-end Roads over 400 feet in length,
21 a Turnout shall be located at approximately the midpoint of the
22 Road, in addition to any other Turnouts Required.

23 (c) Turnouts shall be provided no more than 400 feet apart on
24 One-way Roads or on Roads that do not meet the width
25 requirements.

March 15, 2021

1 (d) Driveways that are less than 20 feet wide and exceed 150
2 feet in length shall require a Turnout.

3 (e) Driveways greater than 150 feet in length and less than 800
4 feet in length shall provide a Turnout near the midpoint of the
5 Driveway.

6 (f) Where the Driveway exceeds 800 feet, Turnouts shall be
7 provided no more than 400 feet apart.

8
9
10
11
12
13
14
15
16
17
18
19
20
21
22
23
24
25

1
2
3
4
5
6
7
8
9
10
11
12
13
14
15
16
17
18
19
20
21
22
23
24
25

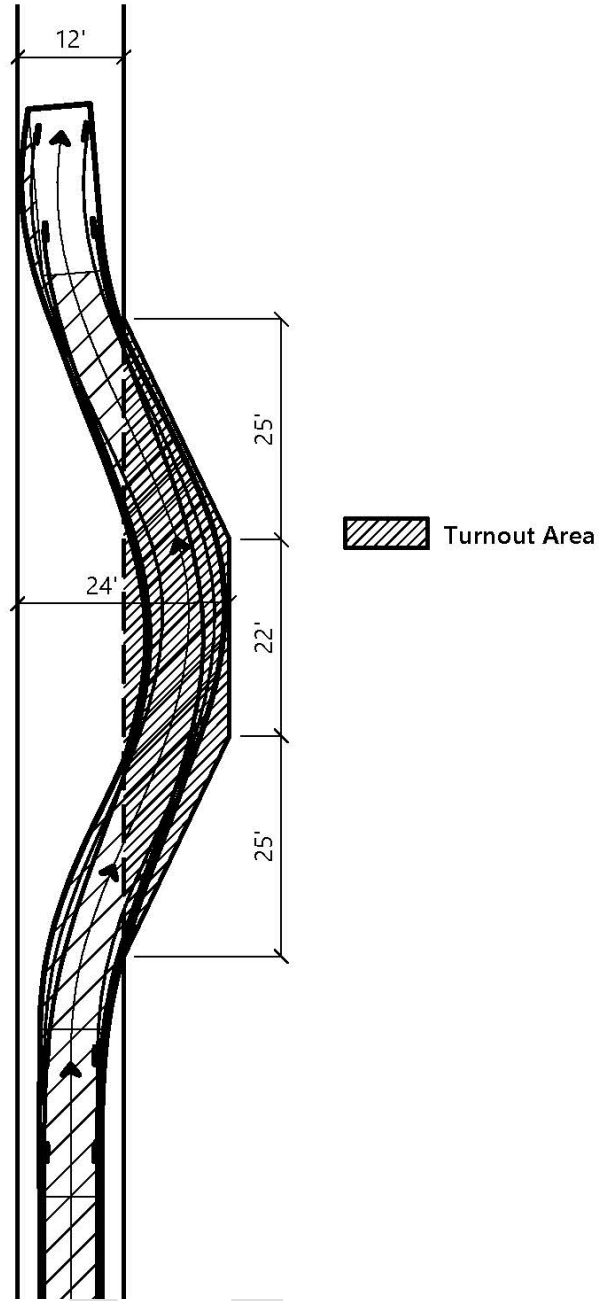


Figure 5
Turnout Dimensions

March 15, 2021

1 ~~(a) Gate entrances shall be at least two (2) feet wider than the~~
2 ~~width of the traffic lane(s) serving that gate and a minimum~~
3 ~~width of fourteen (14) feet unobstructed horizontal clearance~~
4 ~~and unobstructed vertical clearance of thirteen feet, six inches~~
5 ~~(13' 6").~~

6 ~~(b) All gates providing access from a road to a driveway shall~~
7 ~~be located at least thirty (30) feet from the roadway and shall~~
8 ~~open to allow a vehicle to stop without obstructing traffic on~~
9 ~~that road.~~

10 ~~(c) Where a one-way road with a single traffic lane provides~~
11 ~~access to a gated entrance, a forty (40) foot turning radius~~
12 ~~shall be used.~~

13 ~~(d) Security gates shall not be installed without approval.~~
14 ~~Where security gates are installed, they shall have an approved~~
15 ~~means of emergency operation. Approval shall be by the local~~
16 ~~authority having jurisdiction. The security gates and the~~
17 ~~emergency operation shall be maintained operational at all~~
18 ~~times.~~

19 Note: Authority cited: Section 4290, Public Resources Code.

20 Reference: Sections 4290 and 4291, Public Resources Code.

21
22 § 1273.10 Road and Driveway Turnarounds

23 (a) Each Dead-end Road shall have a Turnaround constructed at
24 its terminus. Where a Dead-end Road crosses parcels zoned for
25 five (5) acres or larger, a Turnaround shall also be provided

March 15, 2021

1 halfway along the Dead-end Road.

2 (b) A Turnaround shall be provided on Driveways over 300 feet in
3 length and shall be within fifty (50) feet of the Building.

4 (c) A Turnaround shall meet one on of the following requirements
5 in accordance with Figures 6.1, 6.2, or 6.3.

6 (d) Turnarounds with a radius smaller than 40 feet, shown in
7 Figures 6.2 and 6.3 below, may be approved by the Local
8 Jurisdiction when physical constraints prohibit the ability to
9 install a 40-foot Turnaround.

10 (e) The center of the Turnaround shall remain clear of
11 vegetation or decorative elements.

12 (f) If a hammerhead/T is used instead, the top of the "T" shall
13 be a minimum of sixty (60) feet in length.

1
2
3
4
5
6
7
8
9
10
11
12
13
14
15
16
17
18
19
20
21
22
23
24
25

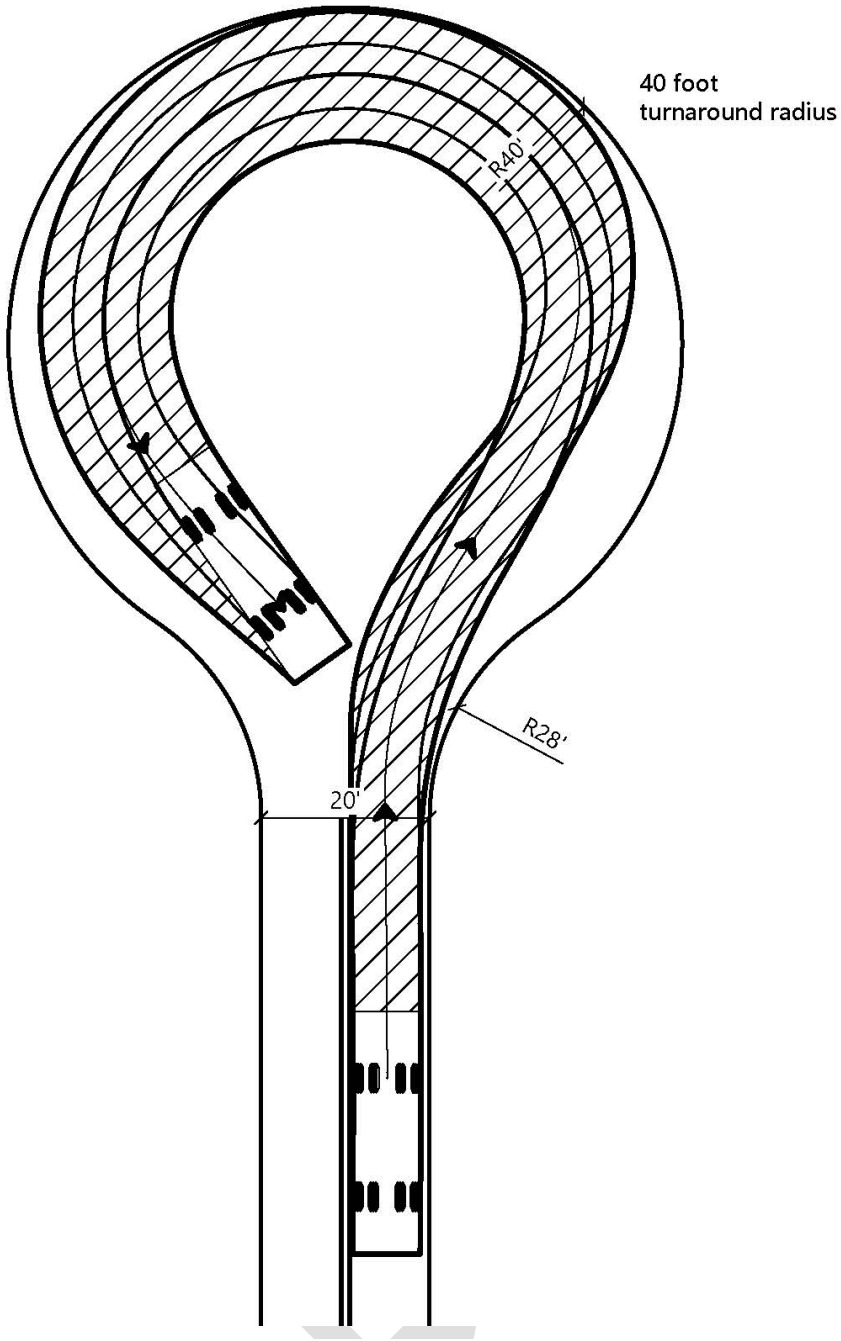


Figure 6.1
Turnarounds with 40-foot radius

1
2
3
4
5
6
7
8
9
10
11
12
13
14
15
16
17
18
19
20
21
22
23
24
25

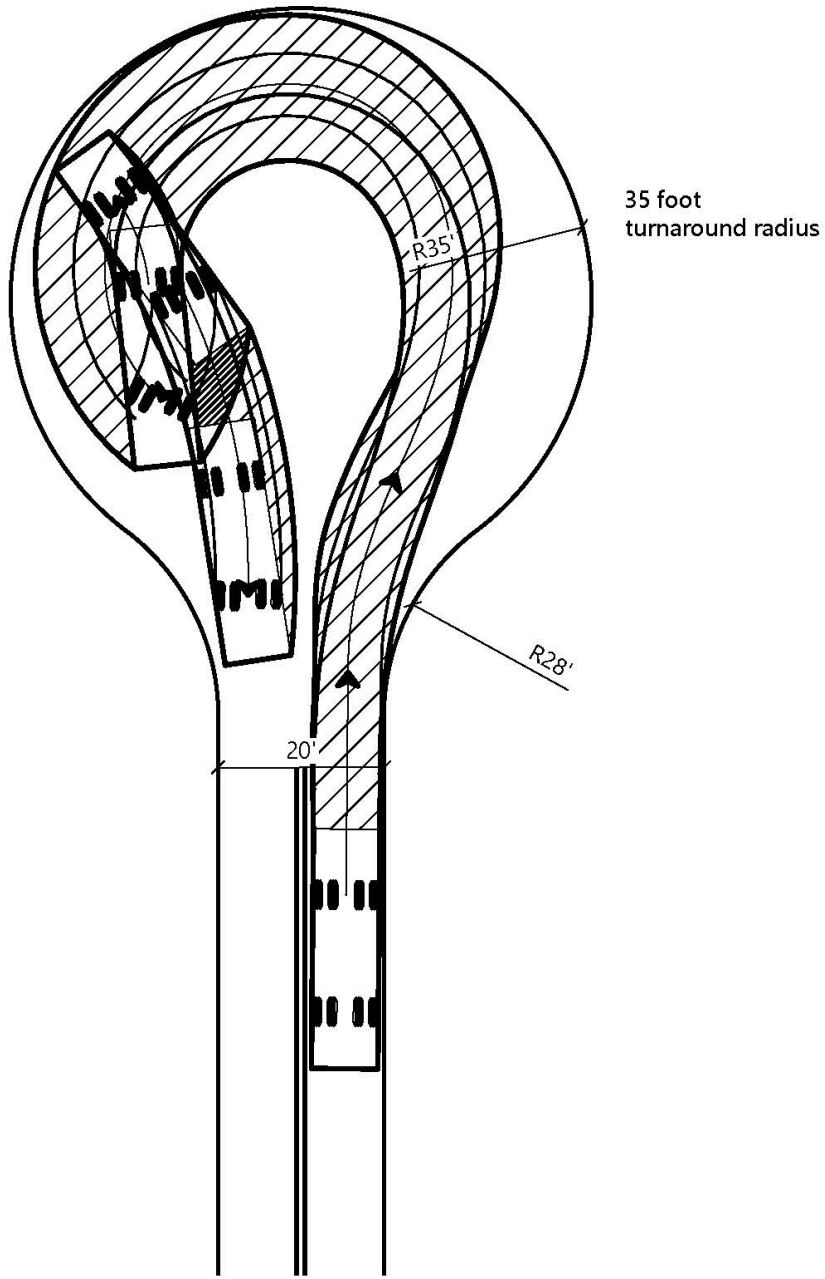


Figure 6.2
Turnarounds with 35-foot radius

1
2
3
4
5
6
7
8
9
10
11
12
13
14
15
16
17
18
19
20
21
22
23
24
25

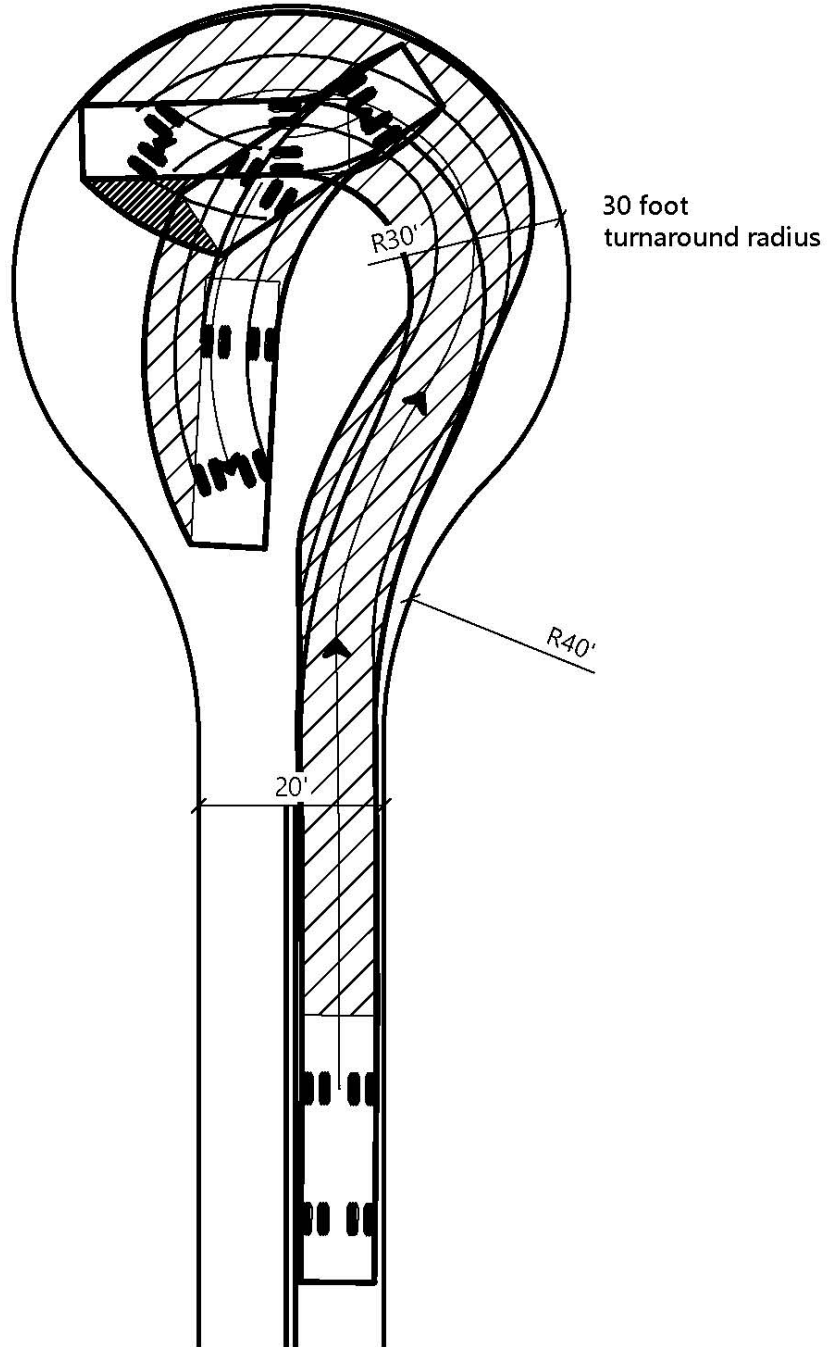


Figure 6.3
Turnarounds with 30-foot radius

March 15, 2021

1 Note: Authority cited: Section 4290, Public Resources Code.

2 Reference: Sections 4290 and 4291, Public Resources Code.

3
4 § 1273.11 Gates

5 (a) Gates shall have an approved means of emergency operation.

6 Electronic gates shall have a manual method of opening in case
7 of electronic failure. The manual method shall be maintained
8 operational at all times.

9 (b) Gate entrances shall be at least two (2) feet wider than the
10 width of the Road or Driveway, as shown in Figure 7 below. Where
11 a gate is installed across an existing Road or Driveway, the
12 gate shall be no less than ten (10) feet wide, with a minimum
13 Clear Width of fourteen (14) feet—unobstructed horizontal
14 clearance—and unobstructed Vertical Clearance of thirteen feet,
15 six inches (13' 6"). Clearance shall be maintained at all times.

16 (c) Where a One-way Road with a single Traffic Lane leads to a
17 gated entrance, a forty (40) foot turning radius shall be used
18 as illustrated on Figure 7.

19 (d) All gates on a Driveway shall be located at least thirty
20 (30) feet from the Road and shall open in direction of travel,
21 in accordance with Figure 7.

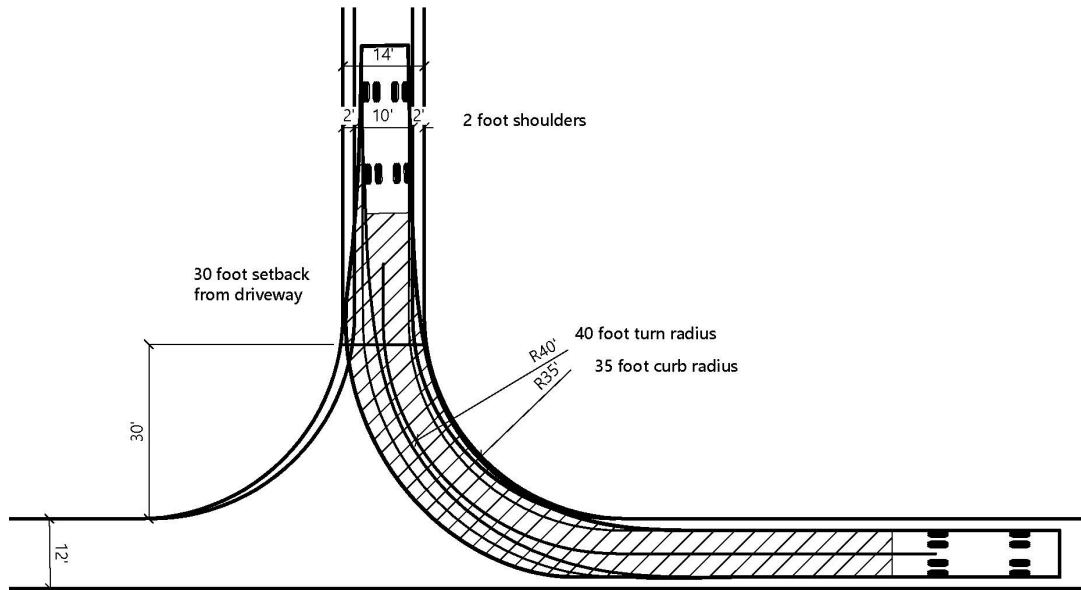


Figure 7
Effective Turn Radius for Gated Entrances/Driveways with Twelve Foot One-Way Main Road

Note: Authority cited: Section 4290, Public Resources Code.

Reference: Sections 4290 and 4291, Public Resources Code.

§ 1273.12 Standards for Existing Roads

(a) Except as provided in subsections (b) and (d), Existing Roads shall meet the following minimum requirements:

(1) One (1) fourteen (14) foot Traffic Lane;

(2) Native-surfacing for no more than 50% of the Road's length; and

(3) Turnouts in compliance with [§ 1273.09 \(Road and Driveway Turnouts\)](#), or maintains a twenty (20) foot Clear Width suitable to serve as a Traffic Lane for the length of the Road.

March 15, 2021

1 (b) Access to Buildings after a Wildfire shall provide for at
2 least one (1) fourteen (14) foot Traffic Lane for a distance of
3 at least twenty-two (22) feet at an interval of at least every
4 400 feet; provided, however, where such Traffic Lanes are not
5 possible due to physical site limitations such as localized
6 topography, slope stability or soil conditions, Access shall
7 provide for locations for vehicles to pass each other at
8 reasonable intervals.

9 (c) Existing Roads providing Access to Buildings shall not
10 exceed a grade of 25% over a distance of 500 linear feet.

11 (d) An Existing Road with a secondary route in conformance with
12 [§ 1273.13 \(Secondary Routes for Existing Roads\)](#) need not comply
13 with subsection (a).

14 Note: Authority cited: Section 4290, Public Resources Code.
15 Reference: Sections 4290 and 4291, Public Resources Code,
16 Section 51178 Government Code.

17 [§ 1273.13 Secondary Routes for Existing Roads](#)

18 (a) Secondary routes shall meet the standards for New Roads in
19 this Subchapter and shall provide for legal and deeded Access
20 that serves as a typical travel way to and from the Building
21 construction. A secured secondary route shall meet the
22 requirements in [§ 1273.11 \(Gates\)](#).

23 (b) Secondary routes shall connect a user to an alternative
24 route that would not be affected by a closure to the primary
25 route, to the extent practicable.

March 15, 2021

1 Note: Authority cited: Section 4290, Public Resources Code.

2 Reference: Sections 4290 and 4291, Public Resources Code.

3
4 Article 3. Signing and Building Numbering

5 § 1274.00. Road Name Signs. ~~Intent~~

6 (a) All Road signs shall conform to the requirements of the
7 California Manual of Uniform Traffic Control Devices (CA MUTCD),
8 hereby incorporated by reference.

9 (b) New Roads shall be identified by a name or number through a
10 consistent system that provides for sequenced or patterned
11 numbering and non-duplicative naming within each Local
12 Jurisdiction. This section does not require any entity to rename
13 or renumber existing roads.

14 (c) The size of letters, numbers, and symbols for road signs
15 shall be a minimum four (4) inch letter height, half inch (.5)
16 inch stroke, reflectorized, contrasting with the background
17 color of the sign.

18 ~~To facilitate locating a fire and to avoid delays in response,~~
19 ~~all newly constructed or approved roads and Buildings shall be~~
20 ~~designated by names or numbers posted on signs clearly visible~~
21 ~~and legible from the road. This section shall not restrict the~~
22 ~~size of letters or numbers appearing on road signs for other~~
23 ~~purposes.~~

24 Note: Authority cited: Section 4290, Public Resources Code.

25 Reference: Sections 4290 and 4291, Public Resources Code.

March 15, 2021

1
2 § 1274.01. Road Signs Installation, Location, and Visibility.

3 (a) Signs required by this article identifying intersecting
4 roads shall be placed at the intersection of those roads.

5 (b) A sign identifying traffic limitations, including but not
6 limited to weight or Vertical Clearance limitations, Dead-end
7 Roads, One-way Roads, or single lane Roads and bridges, shall be
8 placed:

9 (1) at the intersection preceding the traffic limitation,
10 and

11 (2) no more than one hundred (100) feet before such traffic
12 limitation.

13 (c) Road signs required by this article shall be posted at the
14 beginning of construction and shall be maintained thereafter.

15 (d) Road signs shall meet the minimum sign retroreflectivity
16 requirements in the CA MUTCD. Signs that are not required to
17 meet the retroreflectivity requirements (e.g. blue or brown
18 backgrounds) shall be retroreflective or illuminated to show the
19 same shape and color by both day and night.

20 ~~(a) Newly constructed or approved roads must be identified by a~~
21 ~~name or number through a consistent system that provides for~~
22 ~~sequenced or patterned numbering and/or non-duplicative naming~~
23 ~~within each local jurisdiction. This section does not require~~
24 ~~any entity to rename or renumber existing roads, nor shall a~~
25 ~~road providing access only to a single commercial or industrial~~

March 15, 2021

1 ~~occupancy require naming or numbering.~~

2 ~~(b) The size of letters, numbers, and symbols for road signs~~
3 ~~shall be a minimum four (4) inch letter height, half inch (.5)~~
4 ~~inch stroke, reflectorized, contrasting with the background~~
5 ~~color of the sign.~~

6 Note: Authority cited: Section 4290, Public Resources Code.

7 Reference: Sections 4290 and 4291, Public Resources Code.

8
9 § 1274.02. Addresses for Buildings.

10 (a) All Buildings shall be issued an address by the Local
11 Jurisdiction consistent with the standards in the California
12 Fire Code, California Code of Regulations title 24, part 9.

13 (b) Addresses for residential Buildings shall be reflectorized.

14 ~~(a) Road signs shall be visible and legible from both directions~~
15 ~~of vehicle travel for a distance of at least one hundred (100)~~
16 ~~feet.~~

17 ~~(b) Signs required by this article identifying intersecting~~
18 ~~roads shall be placed at the intersection of those roads.~~

19 ~~(c) A sign identifying traffic access or flow limitations,~~
20 ~~including but not limited to weight or vertical clearance~~
21 ~~limitations, dead end roads, one way roads, or single lane~~
22 ~~conditions, shall be placed:~~

23 ~~(i) at the intersection preceding the traffic access limitation,~~
24 ~~and~~

25 ~~(ii) no more than one hundred (100) feet before such traffic~~

March 15, 2021

1 ~~access limitation.~~

2 ~~(d) Road signs required by this article shall be posted at the~~
3 ~~beginning of construction and shall be maintained thereafter.~~

4 Note: Authority cited: Section 4290, Public Resources Code.

5 Reference: Sections 4290 and 4291, Public Resources Code.

6
7 ~~§ 1274.03. Addresses for Buildings.~~

8 ~~(a) All buildings shall be issued an address by the local~~
9 ~~jurisdiction which conforms to that jurisdiction's overall~~
10 ~~address system. Utility and miscellaneous Group U buildings are~~
11 ~~not required to have a separate address; however, each~~
12 ~~residential unit within a building shall be separately~~
13 ~~identified.~~

14 ~~(b) The size of letters, numbers, and symbols for addresses~~
15 ~~shall conform to the standards in the California Fire Code,~~
16 ~~California Code of Regulations title 24, part 9.~~

17 ~~(c) Addresses for residential buildings shall be reflectorized.~~

18 Note: Authority cited: Section 4290, Public Resources Code.

19 Reference: Sections 4290 and 4291, Public Resources Code.

20
21 ~~§ 1274.04. Address Installation, Location, and Visibility.~~

22 ~~(a) All Buildings shall have a permanently posted address which~~
23 ~~shall be plainly legible and visible from the road fronting the~~
24 ~~property.~~

25 ~~(b) Where access is by means of a private road and the address~~

March 15, 2021

1 ~~identification cannot be viewed from the public way, an~~
2 ~~unobstructed sign or other means shall be used so that the~~
3 ~~address is visible from the public way.~~

4 ~~(c) Address signs along one-way roads shall be visible from both~~
5 ~~directions.~~

6 ~~(d) Where multiple addresses are required at a single driveway,~~
7 ~~they shall be mounted on a single sign or post.~~

8 ~~(e) Where a road provides access solely to a single commercial~~
9 ~~or industrial business, the address sign shall be placed at the~~
10 ~~nearest road intersection providing access to that site, or~~
11 ~~otherwise posted to provide for unobstructed visibility from~~
12 ~~that intersection.~~

13 ~~(f) In all cases, the address shall be posted at the beginning~~
14 ~~of construction and shall be maintained thereafter.~~

15 ~~Note: Authority cited: Section 4290, Public Resources Code.~~

16 ~~Reference: Sections 4290 and 4291, Public Resources Code.~~

17
18 ~~Article 4. Water Supply. Emergency Water Standards~~

19 ~~§ 1275.00. Application. Intent~~

20 ~~(a) The provisions of this Article shall apply in the tentative~~
21 ~~and parcel map process when new parcels are approved by the~~
22 ~~Local Jurisdiction having authority, or when new Building~~
23 ~~construction is not already served by an existing water supply.~~

24 ~~(b) These regulations shall not apply to existing water or~~
25 ~~wastewater facilities that are not newly constructed, or to~~

March 15, 2021

1 existing water or wastewater facilities that are repaired,
2 reconstructed, or upgraded. For purposes of this subsection,
3 "water and wastewater facilities" includes, but is not limited
4 to, water storage tanks and reservoirs, pump stations, treatment
5 facilities, regulator stations, Fire Hydrants, and similar water
6 and wastewater system devices.

7 (c) Where a specific code standard from the California Fire Code
8 or National Fire Protection Association (NFPA) is referenced in
9 this Article, any sections of the California Fire Code or NFPA
10 standards regarding alternative methods of compliance,
11 equivalencies, or modifications to the specified standards shall
12 also apply.

13 ~~Emergency water for Wildfire protection shall be available,~~
14 ~~accessible, and maintained in quantities and locations specified~~
15 ~~in the statute and these regulations in order to attack a~~
16 ~~Wildfire or defend property from a Wildfire.~~

17 Note: Authority cited: Section 4290, Public Resources Code.
18 Reference: Sections 4290 and 4291, Public Resources Code.

19
20 § 1275.01. Approved Water Supply. Application

21 (a) Water supply shall meet or exceed the California Fire Code,
22 California Code of Regulations Title 24, Part 9.

23 (b) Where a Municipal-Type Water Supply is not available, the
24 Local Jurisdiction shall utilize the National Fire Protection
25 Association (NFPA) 1142, "Standard on Water Supplies for

March 15, 2021

1 Suburban and Rural Fire Fighting," 2017 Edition, hereby
2 incorporated by referenced, as referenced in the California Fire
3 Code, California Code of Regulations Title 24, Part 9, Appendix
4 B and Appendix BB.

5 (c) All Building construction shall install a water supply for
6 structure defense. Such protection shall be installed and made
7 serviceable prior to and during the time of construction, except
8 when alternative methods of protection are provided and approved
9 by the Local Jurisdiction.

10 (d) Nothing in this article prohibits the combined storage of
11 Wildfire and structural firefighting water supplies unless so
12 prohibited by local ordinance or specified by the Local Fire
13 Authority. Water supplies required under the California Fire
14 Code or other law or regulation may also be used to satisfy the
15 requirements of this Article, so long as the full amount of
16 water supply required by this article is provided.

17 (e) Where freeze or crash protection is required by the Local
18 Jurisdictions, such protection measures shall be provided.

19 ~~The provisions of this article shall apply in the tentative and~~
20 ~~parcel map process when new parcels are approved by the local~~
21 ~~jurisdiction having authority.~~

22 Note: Authority cited: Section 4290, Public Resources Code.

23 Reference: Sections 4290 and 4291, Public Resources Code.

March 15, 2021

1 § 1275.02. Identification of Water Sources. ~~Water Supply.~~

2 (a) Fire Hydrants or water access located along a Driveway shall
3 be identified by at least (1) reflectorized blue marker, with a
4 minimum dimension of three (3) inches. This marker shall be
5 mounted on a fire retardant sign post. The sign post shall be
6 located and mounted as specified by the Fire Authority.

7 (b) Fire Hydrants or water access located along a Road shall be
8 identified by a reflectorized blue marker, with a minimum
9 dimension of three (3) inches. This marker shall be mounted on a
10 fire-retardant sign post. The sign post shall be within three
11 (3) feet of the Fire Hydrant, **Fire Valve**, or water access. The
12 sign shall be no fewer than three (3) nor greater than five (5)
13 feet above ground, in a horizontal position, and visible from
14 the Road, or as specified by the Fire Authority.

15 ~~(a) When a water supply for structure defense is required to be~~
16 ~~installed, such protection shall be installed and made~~
17 ~~serviceable prior to and during the time of construction except~~
18 ~~when alternative methods of protection are provided and approved~~
19 ~~by the local authority having jurisdiction.~~

20 ~~(b) Water systems equaling or exceeding the California Fire~~
21 ~~Code, California Code of Regulations title 24, part 9, or, where~~
22 ~~a municipal-type water supply is unavailable, National Fire~~
23 ~~Protection Association (NFPA) 1142, "Standard on Water Supplies~~
24 ~~for Suburban and Rural Fire Fighting," 2017 Edition, hereby~~
25 ~~incorporated by reference, shall be accepted as meeting the~~

March 15, 2021

1 ~~requirements of this article.~~

2 ~~(c) Such emergency water may be provided in a fire agency mobile~~
3 ~~water tender, or naturally occurring or man made containment~~
4 ~~structure, as long as the specified quantity is immediately~~
5 ~~available.~~

6 ~~(d) Nothing in this article prohibits the combined storage of~~
7 ~~emergency Wildfire and structural firefighting water supplies~~
8 ~~unless so prohibited by local ordinance or specified by the~~
9 ~~local fire agency.~~

10 ~~(e) Where freeze or crash protection is required by Local~~
11 ~~Jurisdictions having authority, such protection measures shall~~
12 ~~be provided.~~

13 Note: Authority cited: Section 4290, Public Resources Code.

14 Reference: Sections 4290 and 4291, Public Resources Code.

15
16 § 1275.03. Secured Water Sources. Hydrants and Fire Valves.

17 Break away locks or similar systems approved by the Local
18 Jurisdiction shall provide fire fighters with access to any
19 water connections, valves, or controls that are normally secured
20 by gates, doors, or other locking systems.

21 ~~(a) The hydrant or fire valve shall be eighteen (18) inches~~
22 ~~above the finished surface. Its location in relation to the road~~
23 ~~or driveway and to the Building(s) or structure(s) it serves~~
24 ~~shall comply with California Fire Code, California Code of~~
25 ~~Regulations title 24, part 9, Chapter 5, and Appendix C.~~

March 15, 2021

1 ~~(b) The hydrant head shall be a two and half (2 1/2) inch~~
2 ~~National Hose male thread with cap for pressure and gravity flow~~
3 ~~systems and four and a half (4 1/2) inch for draft systems.~~

4 ~~(c) Hydrants shall be wet or dry barrel and have suitable freeze~~
5 ~~or crash protection as required by the Local Jurisdiction.~~

6 Note: Authority cited: Section 4290, Public Resources Code.

7 Reference: Sections 4290 and 4291, Public Resources Code.

8
9 § 1275.04. Municipal-Type Water System Hydrants and Fire Valves.

10 ~~Signing of Water Sources~~

11 (a) The Municipal-Type Fire Hydrant shall be eighteen (18)
12 inches above the finished surface. Its location in relation to
13 the Road or Driveway and to the Building(s) or structure(s) it
14 serves shall comply with California Fire Code, California Code
15 of Regulations Title 24, Part 9, Chapter 5, and Appendix C.

16 (b) The Municipal-Type Fire Hydrant shall be sizes designated
17 by the Local Jurisdiction, in consultation with the Fire
18 Authority, and shall have male American National Fire Hose Screw
19 Threads (NH).

20 (c) Where Municipal-Type water supply Fire Hydrant systems are
21 not practical due to the absence of a Municipal-Type Water
22 System supply, or other limiting factors, a performance-based
23 water supply alternative approved by the Local Jurisdiction, in
24 consultation with the Fire Authority, shall be designed and
25 installed to meet the minimum fire flow water supply

March 15, 2021

1 requirements of 250 gallons per minute (gpm) for two (2) hours.

2 ~~(a) Each hydrant, fire valve, or access to water shall be~~
3 ~~identified as follows:~~

4 ~~(1) if located along a driveway, a reflectorized blue marker,~~
5 ~~with a minimum dimension of three (3) inches shall be located on~~
6 ~~the driveway address sign and mounted on a fire retardant post,~~
7 ~~or~~

8 ~~(2) if located along a road,~~

9 ~~(i) a reflectorized blue marker, with a minimum dimension of~~
10 ~~three (3) inches, shall be mounted on a fire retardant post. The~~
11 ~~sign post shall be within three (3) feet of said hydrant or fire~~
12 ~~valve, with the sign no less than three (3) feet nor greater~~
13 ~~than five (5) feet above ground, in a horizontal position and~~
14 ~~visible from the driveway, or~~

15 ~~(ii) as specified in the State Fire Marshal's Guidelines for~~
16 ~~Fire Hydrant Markings Along State Highways and Freeways, May~~
17 ~~1988.~~

18 Note: Authority cited: Section 4290, Public Resources Code.

19 Reference: Sections 4290 and 4291, Public Resources Code.

20
21 § 1275.05. Dry Hydrants

22 When dry hydrants have been approved by the Local Jurisdiction,
23 the requirements of NFPA 1142 (2017) Chapter 8 (8.3, 8.4, 8.5,
24 8.6, 8.7 and 8.8), hereby incorporated by reference, shall be
25 met.

March 15, 2021

1 Note: Authority cited: Section 4290, Public Resources Code.

2 Reference: Sections 4290 and 4291, Public Resources Code.

3
4 § 1275.06. Mobile Water Supply (Water Tenders)

5 (a) Fire water delivery systems that rely on mobile water supply
6 (water tenders) shall only be permitted under the following
7 conditions:

8 (1) During the construction phase of a new development,
9 prior to the permanent fire water delivery system installation;
10 or,

11 (2) When the Local Jurisdiction determines that all other
12 means of water supply is not practical.

13 (b) The mobile water supply shall, within five (5) minutes of
14 the arrival of the first apparatus on-scene, be capable of
15 providing the apparatus with a minimum 250 gpm for a 2-hour
16 duration.

17 (c) Mobile water supplies may use NFPA 1142 (2017) Annex C to
18 achieve minimum fire flow requirements.

19 Note: Authority cited: Section 4290, Public Resources Code.

20 Reference: Sections 4290 and 4291, Public Resources Code.

21
22 § 1275.07. Protection of Water Supply Infrastructure from
23 Wildfire.

24 (a) All water supply infrastructure shall be protected from
25 Wildfire radiant heat, convective heat, and embers by at least

March 15, 2021

1 one of the following:

2 (1) underground burial; or

3 (2) construction of non-combustible materials, fittings and
4 valves, such as concrete or metal; or

5 (3) maintenance of a 100-foot, slope-adjusted defensible
6 space immediately surrounding the infrastructure; or

7 (4) placement within a Building constructed to the
8 requirements of the California Building Code (California Code of
9 Regulations Title 24, Part 2) Chapter 7A.

10 Note: Authority cited: Section 4290, Public Resources Code.

11 Reference: Sections 4290 and 4291, Public Resources Code.

12
13 Article 5. Building Siting, Setbacks, and Fuel Modification Fuel
14 Modification Standards

15 § 1276.00. Applicability Intent

16 (a) All Building construction shall comply with the following
17 provisions of this Article: [§ 1276.01 \(Building and Parcel](#)
18 [Siting and Setbacks](#)); [§ 1276.02\(c\) \(Ridgelines\)](#); and [§ 1276.06](#)
19 [\(Disposal of Flammable Vegetation and Fuels\)](#).

20 (b) The following provisions of this article shall further apply
21 in the tentative and parcel map process for new parcels: [§](#)
22 [1276.01 \(Building and Parcel Siting and Setbacks\)](#); [§ 1276.02\(c\)](#)
23 [\(Ridgelines\)](#); [§ 1276.03 \(Fuel Breaks\)](#); [§ 1276.04 \(Greenbelts,](#)
24 [Greenways, Open Spaces and Parks\)](#); [§ 1276.05 \(Maintenance of](#)
25 [Fuel Breaks\)](#); and [§ 1276.06 \(Disposal of Flammable Vegetation](#)

1 and Fuels).

2 ~~To reduce the intensity of a Wildfire by reducing the volume and~~
3 ~~density of flammable vegetation, the strategic siting of fuel~~
4 ~~modification and greenbelts shall provide for increased safety~~
5 ~~for emergency fire equipment and evacuating civilians by its~~
6 ~~utilization around structures and roads, including driveways,~~
7 ~~and a point of attack or defense from a Wildfire.~~

8 Note: Authority cited: Section 4290, Public Resources Code.

9 Reference: Sections 4290 and 4291, Public Resources Code.

10
11 § 1276.01. Building and Parcel Siting and Setbacks. Setback for
12 Structure Defensible Space

13 (a) All parcels shall provide a minimum thirty (30) foot setback
14 for all ~~B~~buildings from all property lines and/or the center of
15 a ~~R~~road, except as provided for in subsection (b).

16 (b) A reduction in the minimum setback shall be based upon when
17 a thirty (30) foot setback is not possible for practical
18 reasons, which may include but are not limited to, parcel
19 dimensions or size; topographic limitations; development density
20 requirements or other development patterns that promote low-
21 carbon emission outcomes; sensitive habitat; or other site
22 constraints easements, and shall reduce Structure-to-Structure
23 ignition by incorporating features such as, but not limited to:

24 ~~Same practical effect options may include, but are not limited~~
25 ~~to:~~ (1) non-combustible block walls or fences; or

March 15, 2021

1 (2) five (5) feet of non-combustible material extending
2 five (5) feet horizontally from the furthest extent of the
3 Building; or

4 (3) installing hardscape landscaping or reducing exposed
5 windows on the side of the ~~s~~Structure with a less than
6 thirty (30) foot setback; or

7 (4) additional structure hardening that exceeds the
8 requirements in the California Building Code, California Code of
9 Regulations Title 24, Part 2, Chapter 7A.

10 Note: Authority cited: Section 4290, Public Resources Code.

11 Reference: Sections 4290 and 4291, Public Resources Code.

12
13 § 1276.02. Ridgelines. Maintenance of Defensible Space Measures.

14 (a) The Local Jurisdiction shall identify strategic Ridgelines,
15 if any, in consultation with the Fire Authority. Strategic
16 Ridgelines shall be identified through an assessment of the
17 following factors:

18 (1) Topography;

19 (2) Vegetation;

20 (3) Proximity to any existing or proposed residential,
21 commercial, or industrial land uses;

22 (4) Ability to support effective fire suppression; and

23 (5) Other factors, if any, deemed relevant by the Local
24 Jurisdiction and Fire Authority.

25 (b) Preservation of Undeveloped Ridgelines identified as

March 15, 2021

1 strategically important shall be required.

2 (c) New Buildings on Undeveloped Ridgelines identified as
3 strategically important are prohibited. Nothing in this
4 subsection shall be construed to alter the extent to which
5 Structures or Development other than Buildings, such as but not
6 limited to Utility and Miscellaneous Group U Structures, may be
7 constructed on Undeveloped Ridgelines.

8 (d) The Local Jurisdiction may implement further specific
9 requirements to preserve Undeveloped Ridgelines.

10 ~~To ensure continued maintenance of commonly owned properties in~~
11 ~~conformance with these standards and to assure continued~~
12 ~~availability, access, and utilization of the defensible space~~
13 ~~provided by these standards during a wildfire, provisions for~~
14 ~~annual maintenance shall be provided in emergency access~~
15 ~~covenants or similar binding agreements.~~

16 Note: Authority cited: Section 4290, Public Resources Code.

17 Reference: Sections 4290 and 4291, Public Resources Code.

18
19 § 1276.03. Fuel Breaks ~~Disposal of Flammable Vegetation and~~
20 ~~Fuels.~~

21 (a) When Building construction meets the following criteria, the
22 Local Jurisdiction shall determine the need and location for
23 Fuel Breaks in consultation with the Fire Authority:

24 (1) the permitting or approval of three (3) or more new
25 parcels, excluding lot line adjustments as specified in

March 15, 2021

1 Government Code (GC) section 66412(d); or

2 (2) an application for a change of zoning increasing zoning
3 intensity or density; or

4 (3) an application for a change in use permit increasing
5 use intensity or density.

6 (b) Fuel Breaks required by the Local Jurisdiction shall be
7 located, designed, and maintained in a condition that reduces
8 the potential of damaging radiant and convective heat or ember
9 exposure to Access routes, Buildings, or infrastructure within
10 the Development.

11 (c) Fuel Breaks may be required at locations such as, but not
12 limited to:

13 (1) Directly adjacent to Defensible Space to reduce radiant
14 and convective heat exposure, ember impacts or support fire
15 suppression tactics;

16 (2) Directly adjacent to Roads to manage radiant and
17 convective heat exposure or ember impacts; increase evacuation
18 safety; or support fire suppression tactics;

19 (3) Directly adjacent to a Hazardous Land Use to limit the
20 spread of fire from such uses; reduce radiant and convective
21 heat exposure; or support fire suppression tactics;

22 (4) Strategically located along Ridgelines, in Greenbelts,
23 or other locations to manage reduce radiant and convective heat
24 exposure, ember impacts, or support community level fire
25 suppression tactics.

March 15, 2021

1 (d) Fuel Breaks shall be completed prior to the commencement of
2 any permitted construction.

3 (e) Fuel Breaks shall be constructed using the most ecologically
4 and site appropriate treatment option, such as, but not limited
5 to, prescribed burning, manual treatment, mechanical treatment,
6 prescribed herbivory, and targeted ground application of
7 herbicides.

8 (f) Fuel Breaks shall have, at a minimum, one point of access
9 for fire fighters and any required equipment. The specific
10 number of access points and access requirements shall be
11 determined by the Local Jurisdiction in consultation with the
12 Fire Authority.

13 ~~Disposal, including chipping, burying, burning or removal to a~~
14 ~~site approved by the local jurisdiction, of flammable vegetation~~
15 ~~and fuels caused by site development and construction, road and~~
16 ~~driveway construction, and fuel modification shall be completed~~
17 ~~prior to completion of road construction or final inspection of~~
18 ~~a building permit.~~

19 Note: Authority cited: Section 4290, Public Resources Code.

20 Reference: Sections 4290 and 4291, Public Resources Code.

21
22 § 1276.04. Greenbelts, Greenways, Open Spaces and Parks

23 Greenbelts

24 (a) Where a Greenbelt, Greenway, open space, park, landscaped or
25 natural area, or portions thereof, is intended to serve as a

March 15, 2021

1 Fuel Break, the space or relevant portion thereof shall conform
2 with the requirements in [§ 1276.03 \(Fuel Breaks\)](#).

3 (b) Local Jurisdictions may require Greenbelts or Greenways or
4 other open areas for the purpose of providing potential areas of
5 refuge for the public or firefighters or other values as a last
6 resort, if safe evacuation is not practicable.

7 ~~Subdivision and other developments, which propose greenbelts as~~
8 ~~a part of the development plan, shall locate said greenbelts~~
9 ~~strategically as a separation between wildland fuels and~~
10 ~~structures. The locations shall be approved by the local~~
11 ~~authority having jurisdiction and may be consistent with the CAL~~
12 ~~FIRE Unit Fire Management Plan or Contract County Fire Plan.~~

13 Note: Authority cited: Section 4290, Public Resources Code.
14 Reference: Sections 4290 and 4291, Public Resources Code.

15
16 § 1276.05. Maintenance of Fuel Breaks

17 (a) Where a Local Jurisdiction requires Fuel Breaks pursuant to
18 [§ 1276.03 \(Fuel Breaks\)](#), maintenance mechanisms shall be
19 established to ensure the fire behavior objectives and
20 thresholds are maintained over time.

21 (b) The mechanisms required shall be binding upon the property
22 for which the Fuel Break is established, shall ensure adequate
23 maintenance levels, and may include written legal agreements;
24 permanent fees, taxes, or assessments; assessments through a
25 homeowners' association; or other funding mechanisms.

March 15, 2021

1 Note: Authority cited: Section 4290, Public Resources Code.

2 Reference: Sections 4290 and 4291, Public Resources Code.

3
4 § 1276.06 Disposal of Flammable Vegetation and Fuels

5 The disposal, including burning or removal to a site approved by
6 the Local Jurisdiction, of flammable vegetation and fuels caused
7 by site development and construction, road and driveway
8 construction shall be in accordance with all applicable laws and
9 regulations.

10 Note: Authority cited: Section 4290, Public Resources Code.

11 Reference: Sections 4290 and 4291, Public Resources Code.